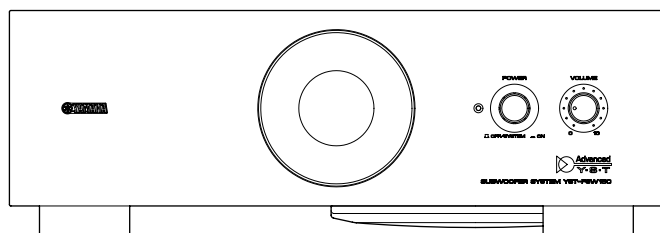


# SUBWOOFER SYSTEM

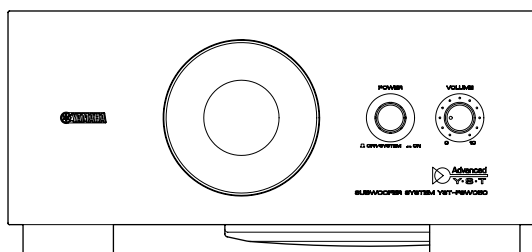
# YST-FSW150/YST-FSW050

## SERVICE MANUAL

### • YST-FSW150



### • YST-FSW050



### IMPORTANT NOTICE

This manual has been provided for the use of authorized YAMAHA Retailers and their service personnel.

It has been assumed that basic service procedures inherent to the industry, and more specifically YAMAHA Products, are already known and understood by the users, and have therefore not been restated.

**WARNING:** Failure to follow appropriate service and safety procedures when servicing this product may result in personal injury, destruction of expensive components, and failure of the product to perform as specified. For these reasons, we advise all YAMAHA product owners that any service required should be performed by an authorized YAMAHA Retailer or the appointed service representative.

**IMPORTANT:** The presentation or sale of this manual to any individual or firm does not constitute authorization, certification or recognition of any applicable technical capabilities, or establish a principle-agent relationship of any form.

The data provided is believed to be accurate and applicable to the unit(s) indicated on the cover. The research, engineering, and service departments of YAMAHA are continually striving to improve YAMAHA products. Modifications are, therefore, inevitable and specifications are subject to change without notice or obligation to retrofit. Should any discrepancy appear to exist, please contact the distributor's Service Division.

**WARNING:** Static discharges can destroy expensive components. Discharge any static electricity your body may have accumulated by grounding yourself to the ground buss in the unit (heavy gauge black wires connect to this buss).

**IMPORTANT:** Turn the unit OFF during disassembly and part replacement. Recheck all work before you apply power to the unit.

## ■ CONTENTS

TO SERVICE PERSONNEL .....	2
SPECIFICATIONS / 参考仕様 .....	3
INTERNAL VIEW .....	4
FRONT PANELS .....	5
REAR PANELS .....	6-7


DISASSEMBLY PROCEDURES / 分解手順 .....	8-11
BLOCK DIAGRAM .....	12
PRINTED CIRCUIT BOARDS .....	13-14
SCHEMATIC DIAGRAMS .....	15-16
REPLACEMENT PARTS LIST .....	17-25

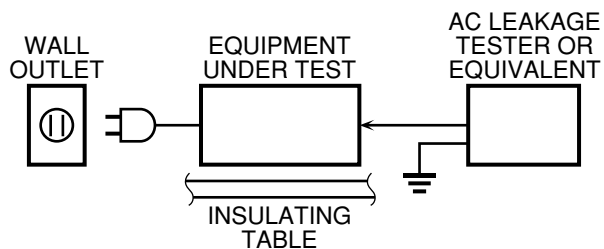


このサービスマニュアルは、エコマーク認定の再生紙を使用しています。  
This Service Manual uses recycled paper.



## ■ TO SERVICE PERSONNEL

1. Critical Components Information  
Components having special characteristics are marked  and must be replaced with parts having specifications equal to those originally installed.
  2. Leakage Current Measurement (For 120V Models Only)  
When service has been completed, it is imperative to verify that all exposed conductive surfaces are properly insulated from supply circuits.
- Meter impedance should be equivalent to 1500 ohms shunted by 0.15 $\mu$ F.



- Leakage current must not exceed 0.5mA.
- Be sure to test for leakage with the AC plug in both polarities.



### For U model

#### “CAUTION”

“F1: FOR CONTINUED PROTECTION AGAINST RISK OF FIRE, REPLACE ONLY WITH SAME TYPE 1.6A, 125V FUSE.”

### For C model

#### CAUTION

F1: REPLACE WITH SAME TYPE 1.6A, 125V FUSE.

#### ATTENTION

F1: UTILISER UN FUSIBLE DE RECHANGE DE MÊME TYPE DE 1.6A, 125V.

## WARNING: CHEMICAL CONTENT NOTICE!

The solder used in the production of this product contains LEAD. In addition, other electrical/electronic and/or plastic (where applicable) components may also contain traces of chemicals found by the California Health and Welfare Agency (and possibly other entities) to cause cancer and/or birth defects or other reproductive harm.

DO NOT PLACE SOLDER, ELECTRICAL/ELECTRONIC OR PLASTIC COMPONENTS IN YOUR MOUTH FOR ANY REASON WHATSOEVER!

Avoid prolonged, unprotected contact between solder and your skin! When soldering, do not inhale solder fumes or expose eyes to solder/flux vapor!

If you come in contact with solder or components located inside the enclosure of this product, wash your hands before handling food.

## About lead free solder / 無鉛ハンダについて

All of the P.C.B.s installed in this unit and solder joints are soldered using the lead free solder.

Among some types of lead free solder currently available, it is recommended to use one of the following types for the repair work.

- Sn + Ag + Cu (tin + silver + copper)
- Sn + Cu (tin + copper)
- Sn + Zn + Bi (tin + zinc + bismuth)

### Caution:

As the melting point temperature of the lead free solder is about 30°C to 40°C (50°F to 70°F) higher than that of the lead solder, be sure to use a soldering iron suitable to each solder.

本機に搭載されているすべての基板およびハンダ付けによる接合部は無鉛ハンダでハンダ付けされています。

無鉛ハンダにはいくつかの種類がありますが、修理時には下記のような無鉛ハンダの使用を推奨します。

- ・ Sn+Ag+Cu(錫+銀+銅)
- ・ Sn+Cu(錫+銅)
- ・ Sn+Zn+Bi(錫+亜鉛+ビスマス)

### 注意:

無鉛ハンダの融点温度は通常の鉛入りハンダに比べ30~40°C程度高くなっていますので、それぞれのハンダに合ったハンダごてをご使用ください。

## ■ SPECIFICATIONS / 参考仕様

**Type / 型式** ..... Advanced Yamaha Active Servo Technology II

**Output Power / 出力** (100 Hz, 5 ohms, 10% T.H.D.)

[YST-FSW150] ..... 75 W

[YST-FSW050] ..... 50 W

**Dynamic Power / ダイナミックパワー** (5 ohms)

[YST-FSW150] ..... 130 W

[YST-FSW050] ..... 100 W

**Input Sensitivity / 入力感度** (50 Hz, 75 W / 5 ohms, INPUT (PJ))

[YST-FSW150] ..... 100 mV

[YST-FSW050] ..... 50 mV

**Input Impedance / 入力インピーダンス**

INPUT (PJ) ..... 12 k-ohms

**Frequency Response / 再生周波数帯域**

[YST-FSW150] ..... 30 Hz to 160 Hz

[YST-FSW050] ..... 35 Hz to 160 Hz

**Driver / スピーカーユニット** (Magnetic shielding type)

..... 16 cm (6.5") cone woofer

**Input Section / 入力部**

INPUT ..... RCA pin jack

**Operation Section / 操作部**

Front panel ..... Power switch, Volume control, Power indicator

Bottom panel ..... Voltage selector (R, L models)

**Power Supply / 電源**

U, C models ..... AC 120 V, 60 Hz

R, L models ..... AC 110-120/220-240 V, 50/60 Hz

T model ..... AC 220 V, 50 Hz

K model ..... AC 220 V, 60 Hz

A model ..... AC 240 V, 50 Hz

B, G models ..... AC 230 V, 50 Hz

J model ..... AC 100 V, 50/60 Hz

**Power Consumption / 消費電力**

[YST-FSW150]

U, C, R, T, A, B, G, L models ..... 70 W

J model ..... 45 W

[YST-FSW050]

U, C, R, T, K, A, B, G, L models ..... 40 W

J model ..... 25 W

**Dimensions / 外形寸法** (W x H x D)

[YST-FSW150] ..... 435 x 151 x 360 mm  
(17-1/8" x 5-15/16" x 14-3/16")

[YST-FSW050] ..... 350 x 163 x 360 mm  
(13-3/4" x 6-7/16" x 14-3/16")

**Weight / 質量**

[YST-FSW150] ..... 9.4 kg (20 lbs. 12 oz.)

[YST-FSW050] ..... 8.5 kg (18 lbs. 12 oz.)

**Finish**

[YST-FSW150]

Black Color ..... U, C, R, T, A, B, G, L, J models

Silver Color ..... U, C, R, T, A, B, G, L, J models

[YST-FSW050]

Black Color ..... U, C, R, T, K, A, B, G, L, J models

Silver Color ..... U, C, R, T, K, A, B, G, L, J models

**Accessories / 付属品**

Subwoofer cable (5 m) x 1, System control cable (5 m) x 1,

Stand (with PAD x 2) x 1 (YST-FSW150 model),

Screw x 2 (YST-FSW150 model), Nonskid pad x 4

\* Specifications are subject to change without notice due to product improvements.

※ 参考仕様および外観は予告なく変更されることがあります。

U ..... U.S.A. model  
C ..... Canadian model  
R ..... General model  
T ..... Chinese model  
K ..... Korean model

A ..... Australian model  
B ..... British model  
G ..... European model  
L ..... Singapore model  
J ..... Japanese model



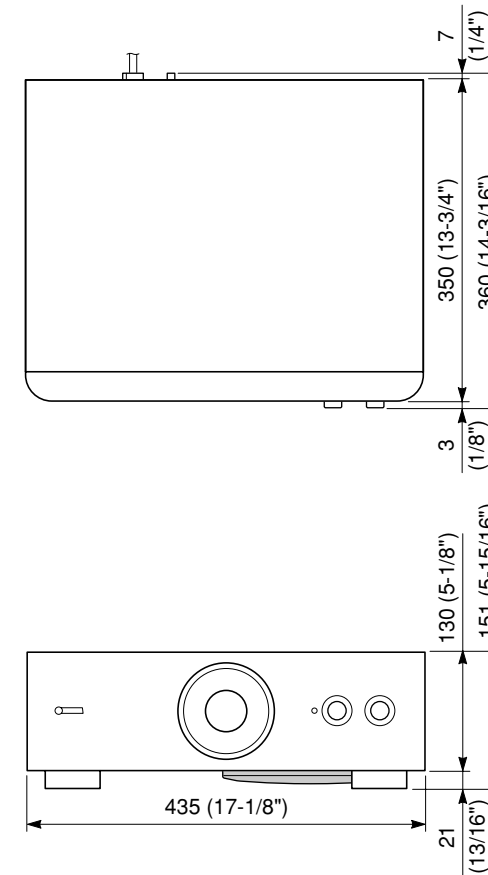
### Advanced Yamaha Active Servo Technology II

Advanced Yamaha Active Servo Technology is a unique system to let the speaker unit have a perfectly linear motion by the speaker and amplifier combination.

アドバンスドヤマハアクティブサーボテクノロジー II

アドバンスドヤマハアクティブサーボテクノロジーは、スピーカーとアンプの組み合わせにより振動板を効率よくスムーズに動かし最大音圧時のリニアリティを大幅に改善したユニークなシステムです。

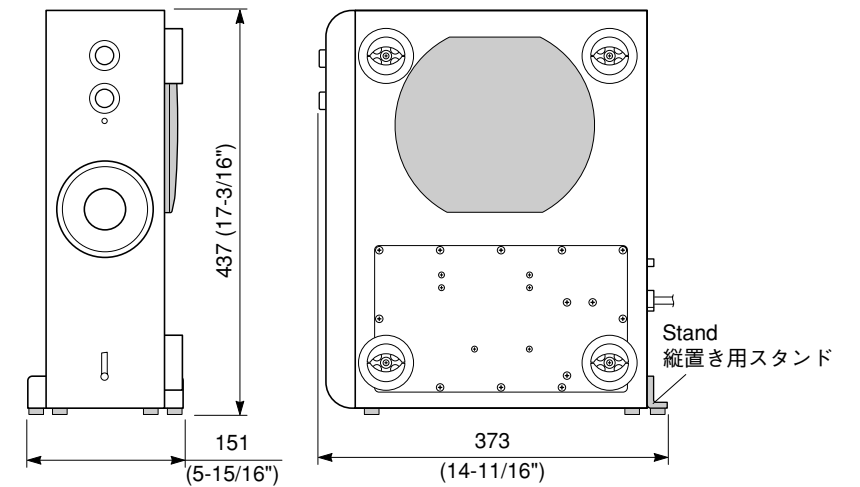
## • DIMENSIONS / 寸法図



YST-FSW150

Unit: mm (inch)  
単位: mm(インチ)

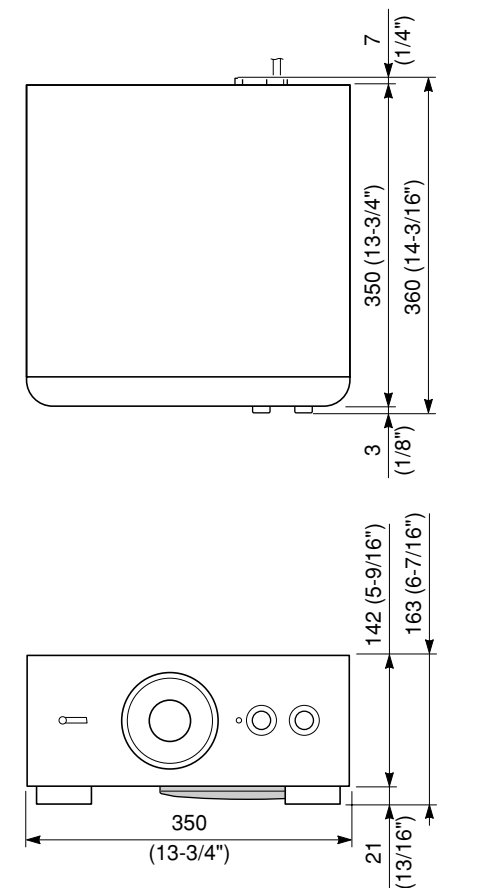
When installing the unit vertically  
(本機を縦置きにする場合)



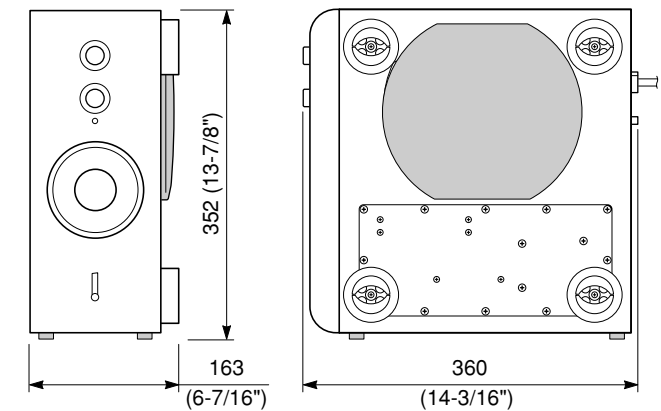
Stand  
縦置き用スタンド

YST-FSW050

Unit: mm (inch)  
単位: mm(インチ)

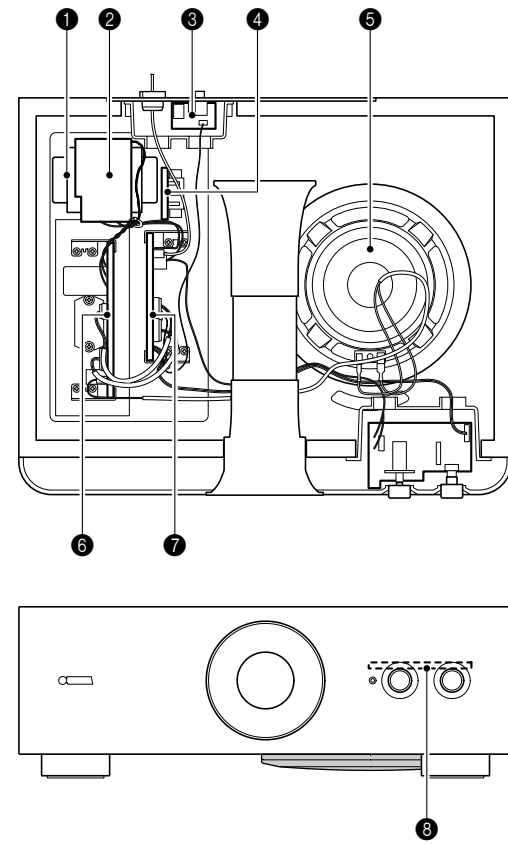


When installing the unit vertically  
(本機を縦置きにする場合)



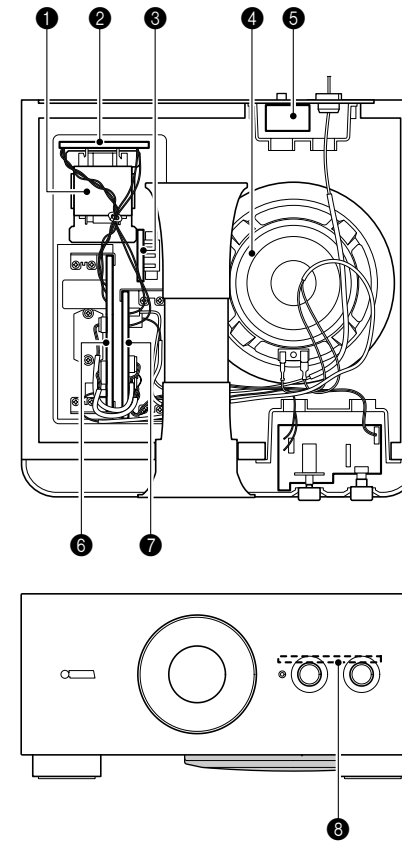
INTERNAL VIEW

YST-FSW150



- ① Power Transformer
- ② MAIN (7) P.C.B. (U, C, T, A, B, G, J models)  
MAIN (8) P.C.B. (R, L models)
- ③ MAIN (4) P.C.B.
- ④ MAIN (6) P.C.B. (R, L models)
- ⑤ Driver Woofer
- ⑥ MAIN (1) P.C.B.
- ⑦ MAIN (2) P.C.B.
- ⑧ MAIN (3) P.C.B.

YST-FSW050

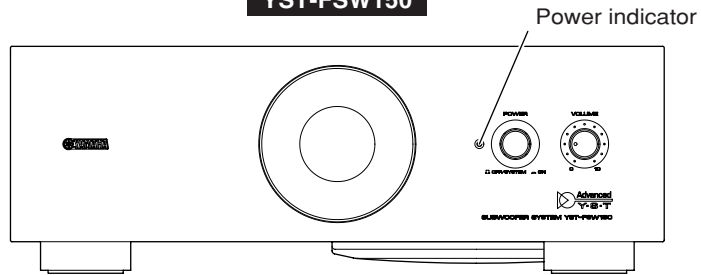


- ① Power Transformer
- ② MAIN (7) P.C.B. (U, C, T, K, A, B, G, J models)  
MAIN (8) P.C.B. (R, L models)
- ③ MAIN (6) P.C.B. (R, L models)
- ④ Driver Woofer
- ⑤ MAIN (4) P.C.B.
- ⑥ MAIN (1) P.C.B.
- ⑦ MAIN (2) P.C.B.
- ⑧ MAIN (3) P.C.B.

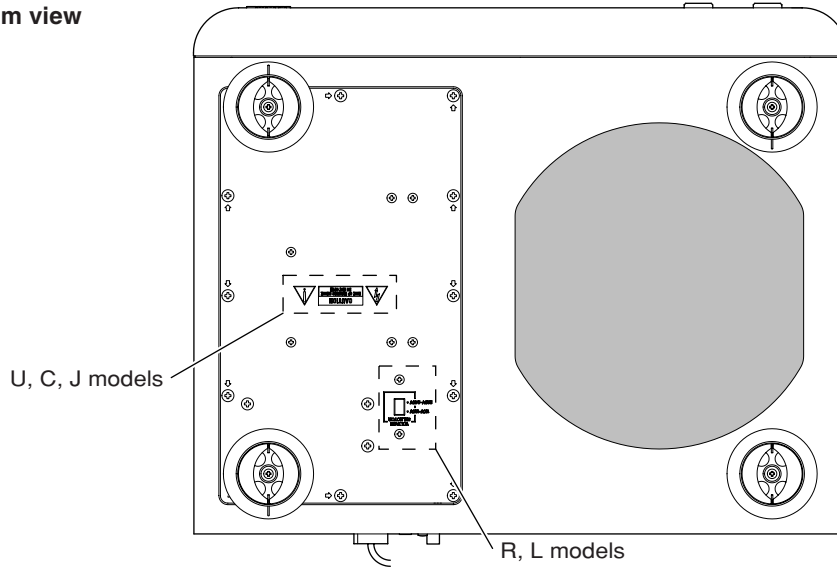
# FRONT PANELS

## YST-FSW150

- Front view

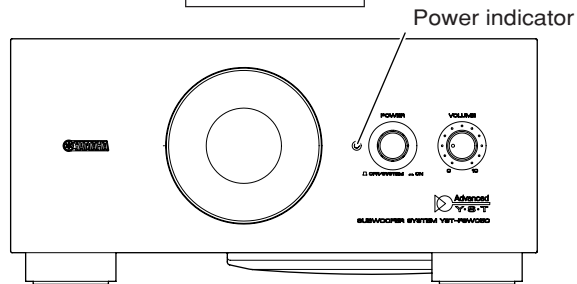


- Bottom view

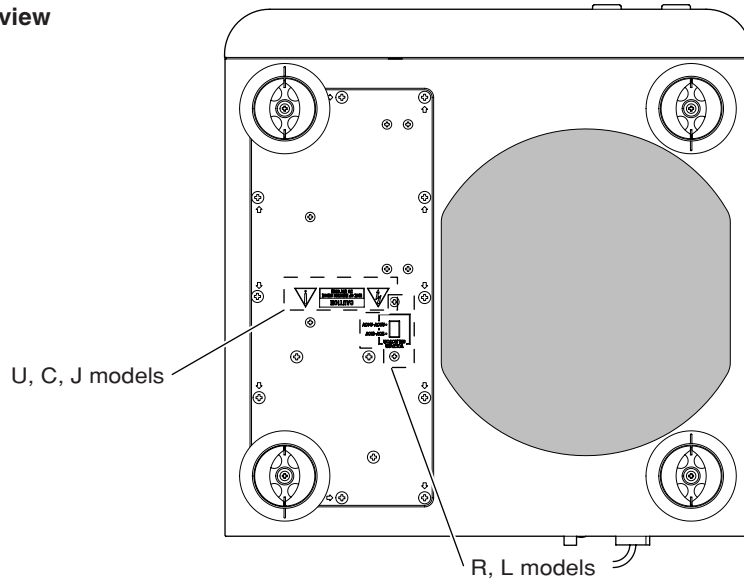


## YST-FSW050

- Front view



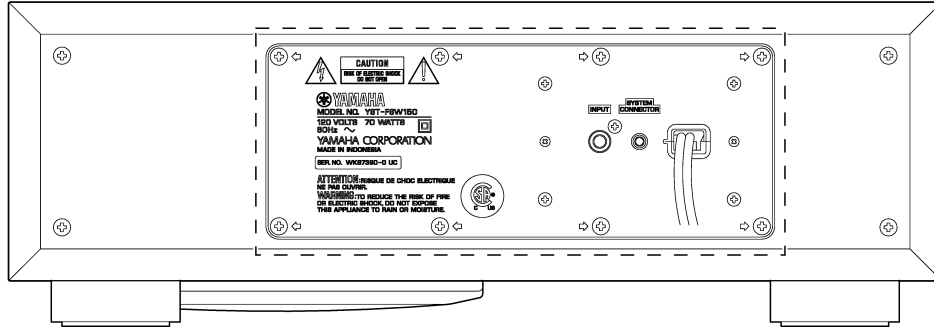
- Bottom view



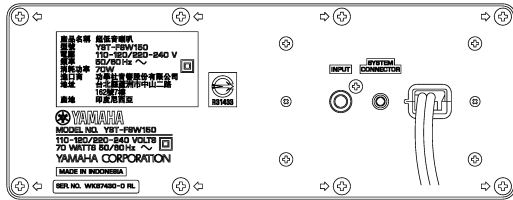
■ REAR PANELS

YST-FSW150

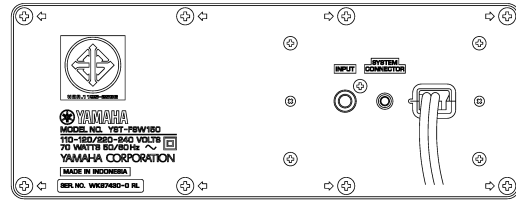
U, C models



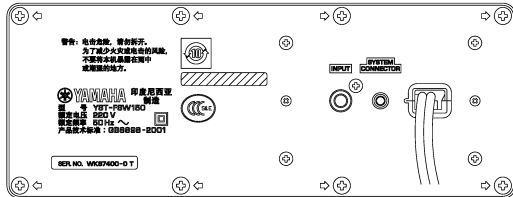
R model



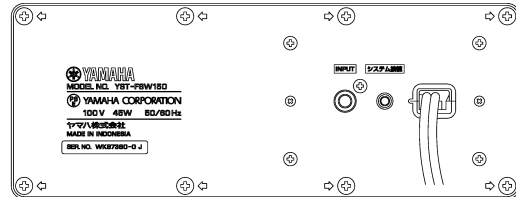
L model



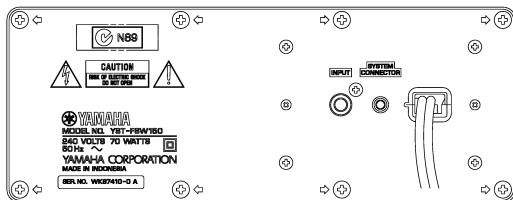
T model



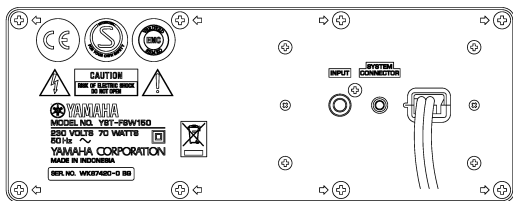
J model



A model

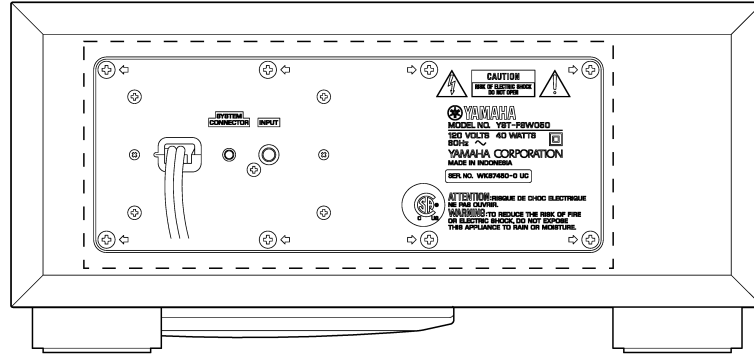


B, G models

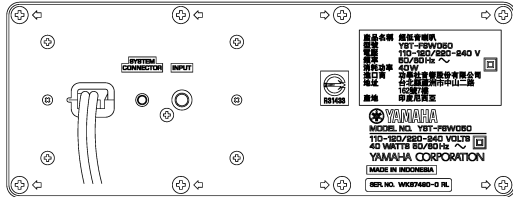


YST-FSW050

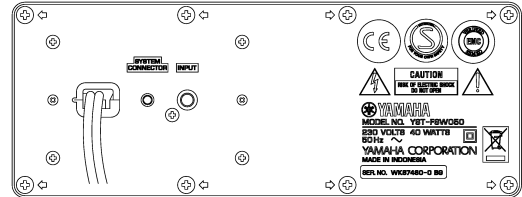
U, C models



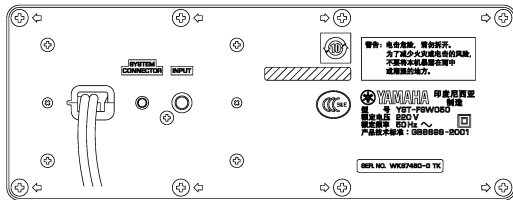
R model



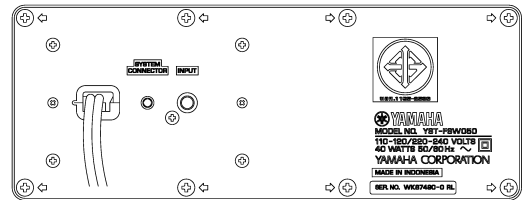
B, G models



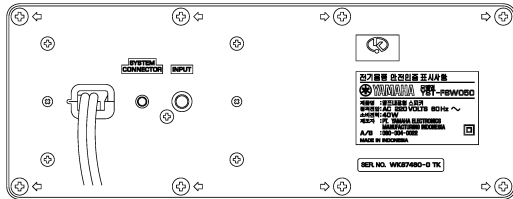
T model



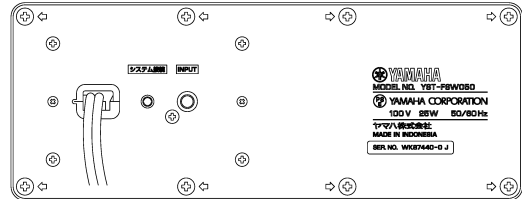
L model



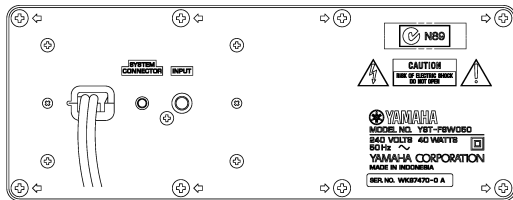
K model



J model



A model



## ■ DISASSEMBLY PROCEDURES / 分解手順

Disconnect the power cable from the AC outlet.

AC電源コンセントから、電源コードを抜いてください。

### • Required tools

- Flatblade screwdriver
- Metalblade or the like (with wider blade end)

\* Used when removing the bottom grille ass'y and front panel ass'y.

### • 必要なツール

- マイナスドライバー
- ヘラ等(先端の幅が広いもの)

※ ボトムグリルASSYおよびフロントパネルASSYを取り外す時に使用します。

### 1. Removal of driver

a. Turn the main unit bottom up.

\* The bottom grille ass'y is fixed to the cabinet ass'y with dowels at 4 locations. As a flatblade screwdriver is used for removal, use special care not to cause damage to the cabinet ass'y.

b. First, insert a flatblade screwdriver at 4 dowel positions and push up the bottom grille ass'y. (Fig. 1)

c. Next, using the metalblade or the like, push the bottom grille ass'y upward until it comes off. (Fig. 1)

**Note:** • Removing the bottom grille ass'y with the flatblade screwdriver only without using the metalblade or the like may cause damage to the bottom grille ass'y.

- When installing the bottom grille ass'y, apply quick-drying bond or the like to dowels and then fit them into dowel holes for secure installation. (The bottom grille ass'y will come off easily if its dowels are fitted into dowel holes without applying quick-drying bond or the like.)

### 1. スピーカーユニットの外し方

a. 本機を上下反転します。

\* ボトムグリルASSYは4箇所のダボでキャビネットASSYに固定されています。取り外しの際、キャビネットASSYに傷が付かないよう十分注意してください。

b. 最初にマイナスドライバーを4箇所のダボ位置へ差し込み、ボトムグリルASSYを押し上げます。(Fig. 1)

c. 次にヘラ等を使い、徐々に上面へ押し上げて、ボトムグリルASSYを取り外します。(Fig. 1)

**注意:** • ボトムグリルASSYを取り外す際、ヘラ等を使わずマイナスドライバーだけを使って取り外すと、ボトムグリルASSYが破損する場合があります。

- ボトムグリルASSYを取り付ける場合、ボトムグリルASSYのダボに速乾ボンドなどを塗って取り付けます。(ボトムグリルASSYのダボへ速乾ボンドなどを塗らずに差し込むだけでは、簡単に外れてしまいます。)

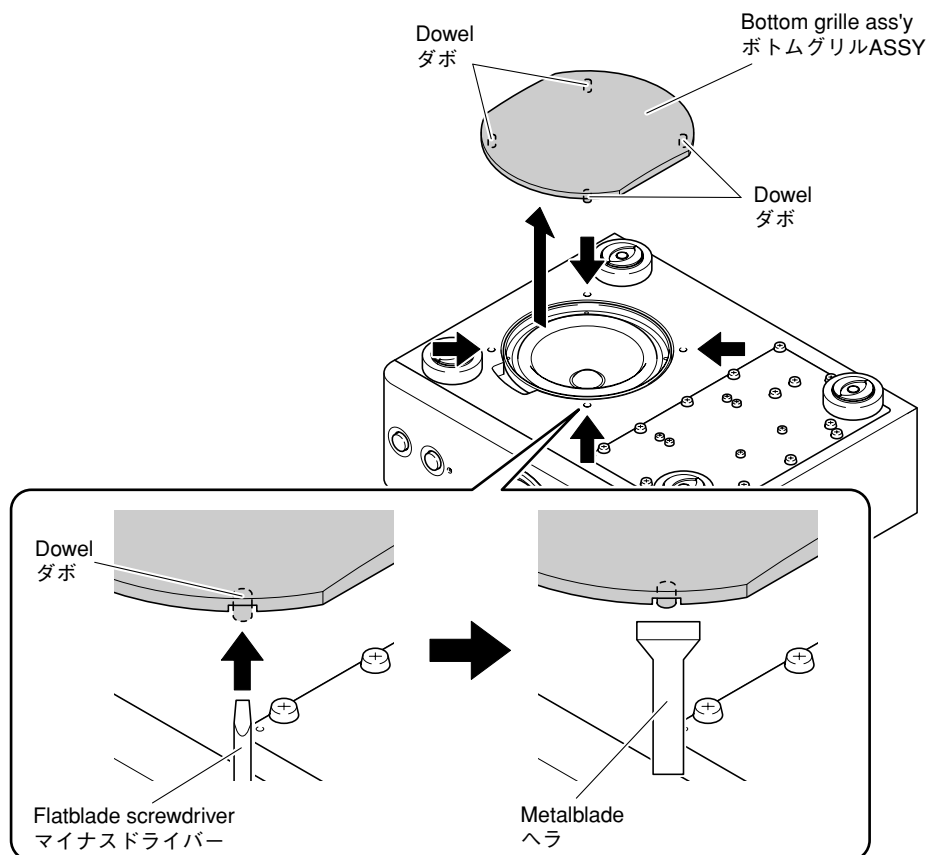


Fig. 1



- d. Remove 4 screws (①) and then pull out the driver. (Fig. 2)  
e. Disconnect the connector connected to the terminal of the Driver. (Fig. 2)

- d. ①のネジ4本を外し、スピーカーユニットを引き出します。(Fig. 2)  
e. スピーカーユニットの端子に接続されているコネクタを外します。(Fig. 2)

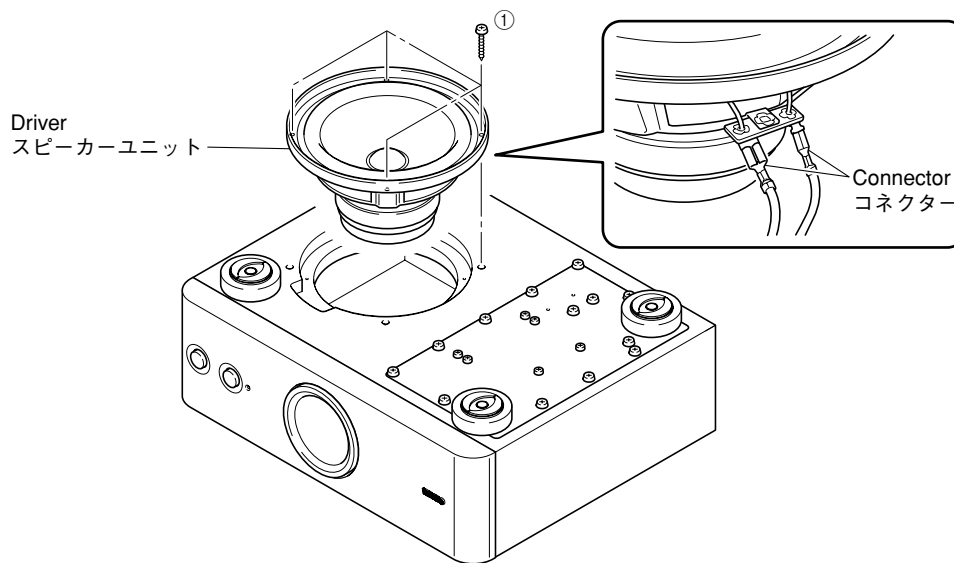


Fig. 2

## 2. Removal of bottom panel ass'y

- a. Remove 2 screws (②) and then remove 2 legs. (Fig. 3)  
b. Remove 12 screws (③). (Fig. 3)  
\* Screws (③) are identified with arrow marks ( ⇨ ).  
c. Pull out the bottom panel ass'y. (Fig. 3)  
d. Remove CB1-5 and then remove the bottom panel ass'y. (Fig. 3)

## 2. ボトムパネルASSYの外し方

- a. ②のネジ2本を外し、レッグ2個を取り外します。(Fig. 3)  
b. ③のネジ12本を外します。(Fig. 3)  
※ 取り外す③のネジには矢印( ⇨ )が印刷されています。  
c. ボトムパネルASSYを引き出します。(Fig. 3)  
d. CB1～CB5を外し、ボトムパネルASSYを取り外します。(Fig. 3)

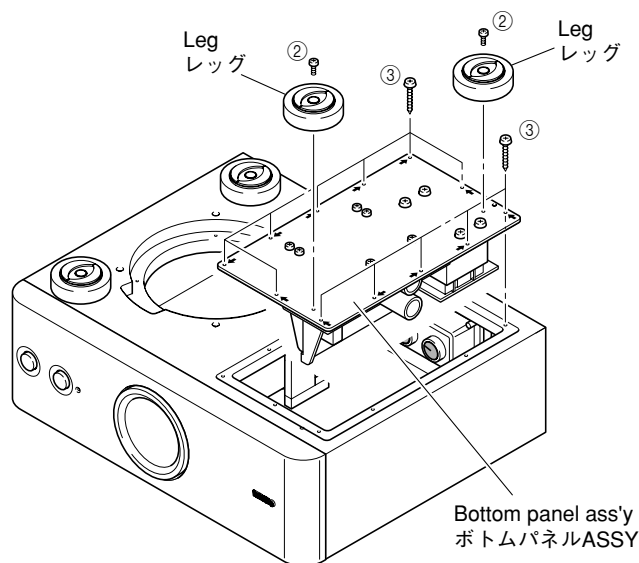
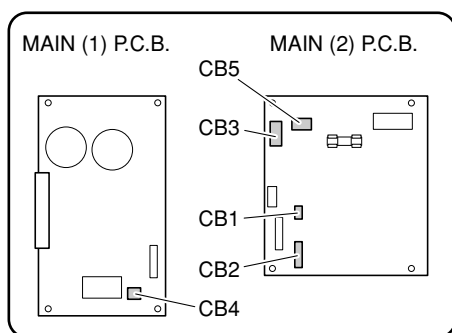


Fig. 3

### 3. Removal of front panel ass'y

\* The front panel ass'y is fixed to the cabinet ass'y with dowels. As a flatblade screwdriver is used for removal, use special care not to cause damage to the cabinet ass'y.

a. Remove 2 bushings. (Fig. 4)

\* Used bushing, once removed, cannot be reused. Be sure to use a new bushing in place of the removed used bushing.

b. First, insert a flatblade screwdriver at 2 dowel positions and push up the front panel ass'y. (Fig. 4)

c. Next, using the metalblade or the like, push the front panel ass'y upward until it comes off. (Fig. 4)

**Note:** • Removing the front panel ass'y with the flatblade screwdriver only without using the metalblade or the like may cause a damage to the front panel ass'y.

- When installing the front panel ass'y, apply quick-drying bond or the like to dowels and then fit them into dowel holes for secure installation. (The front panel ass'y will come off easily if its dowels are fitted into dowel holes without applying quick-drying bond or the like.)

### 3. フロントパネルASSYの外し方

\* フロントパネルASSYはダボでキャビネットASSYに固定されています。取り外しの際、キャビネットASSYに傷が付かないよう十分注意してください。

a. ブッシュ2個を外します。(Fig. 4)

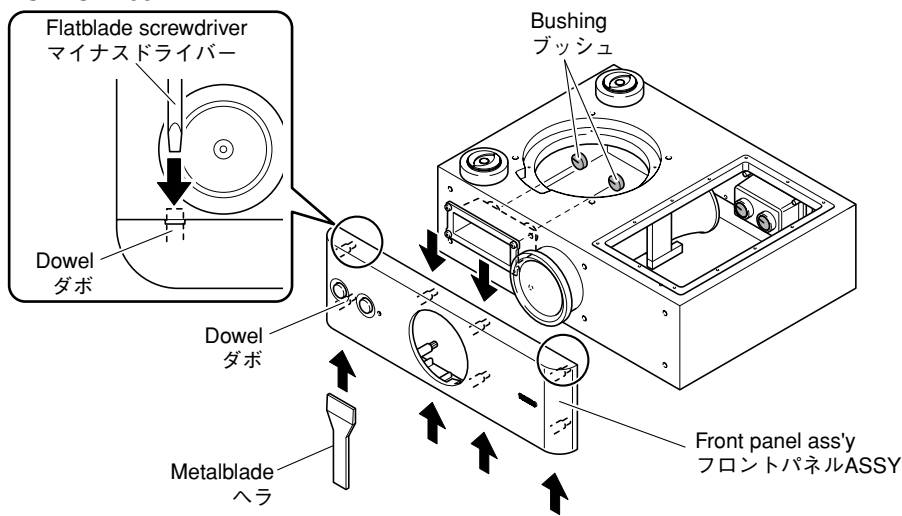
※ 一度外した古いブッシュは使用できません。古いブッシュを外した場合、新しいブッシュに交換してください。

b. 最初にマイナスドライバーを2箇所のダボ位置へ差し込み、フロントパネルASSYを押し上げます。(Fig. 4)

c. 次にヘラ等を使い、徐々に上面へ押し上げて、フロントパネルASSYを取り外します。(Fig. 4)

**注意:** • フロントパネルASSYを取り外す際、ヘラ等を使わずマイナスドライバーだけを使って取り外すと、フロントパネルASSYが破損する場合があります。  
• フロントパネルASSYを取り付ける場合、フロントパネルASSYのダボに速乾ボンドなどを塗って取り付けます。(フロントパネルASSYのダボへ速乾ボンドなどを塗らずに差し込むだけでは、簡単に外れてしまいます。)

#### YST-FSW150



#### YST-FSW050

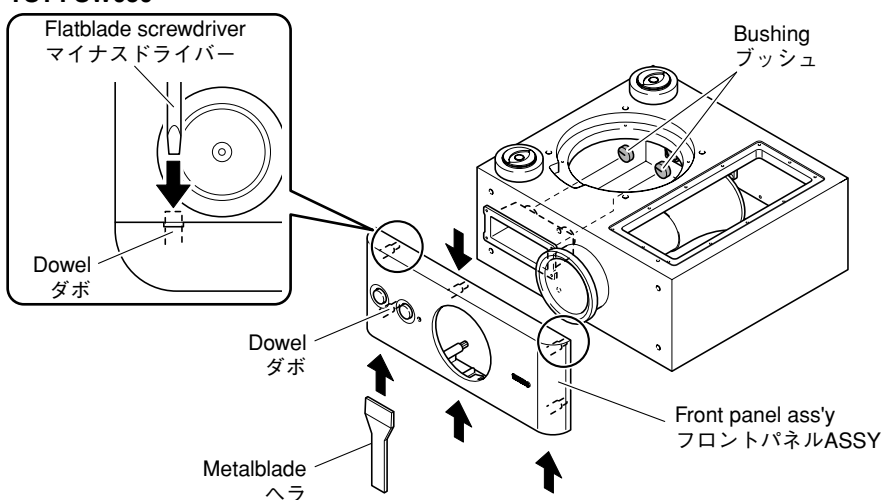


Fig. 4

#### 4. Removal of rear panel ass'y

- Remove 8 screws (④). (Fig. 5)
  - \* Screws (④) are identified with arrow marks ( ⇨ ).
- Remove the rear panel ass'y. (Fig. 5)
- Remove 2 bushings. (Fig. 5)
  - \* Used bushing, once removed, cannot be reused. Be sure to use a new bushing in place of the removed used bushing.
- Remove 4 screws (⑤) and then remove the rear cover. (Fig. 5)

#### 4. リアパネルASSYの外し方

- ④のネジ8本を外します。(Fig. 5)
  - ※ 取り外す④のネジには矢印( ⇨ )が印刷されています。
- リアパネルASSYを取り外します。(Fig. 5)
- ブッシュ2個を外します。(Fig. 5)
  - ※ 一度外した古いブッシュは使用できません。古いブッシュを外した場合、新しいブッシュに交換してください。
- ⑤のネジ4本を外し、リアカバーを取り外します。(Fig. 5)

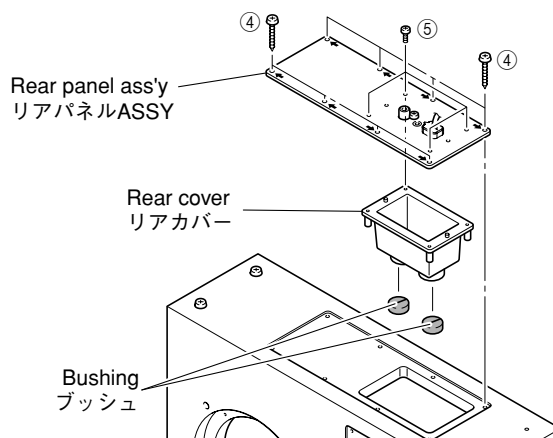


Fig. 5

#### When Checking the P.C.B.:

- Connect all the connectors removed during disassembly back to the original positions.
- Spread the rubber sheet and cloth for insulation purpose and place the bottom panel ass'y, front panel ass'y and rear panel ass'y on them. (Fig. 6)

#### P.C.B.チェックをする場合には

- 分解の際に外したコネクタをすべて元通りに接続します。
- 絶縁のためにゴムシートと布を敷き、その上にボトムパネルASSY、フロントパネルASSY、リアパネルASSYを置いてチェックします。(Fig. 6)

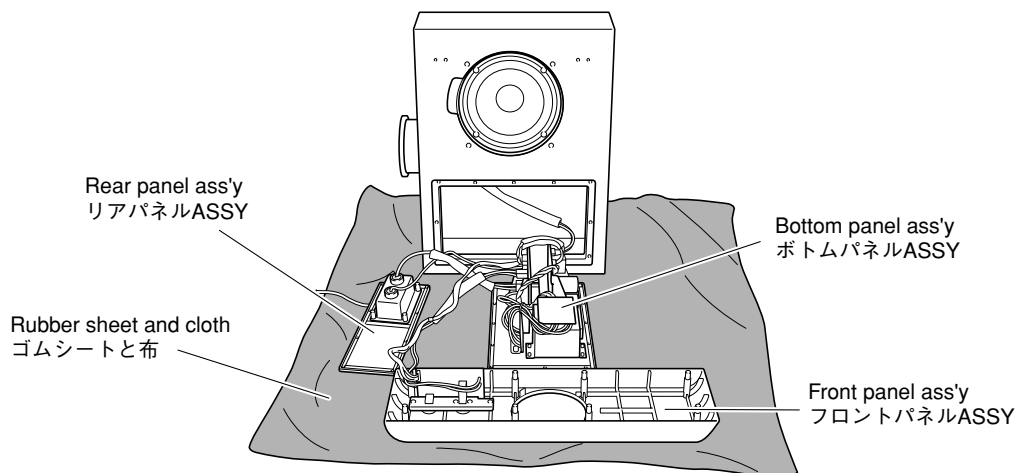
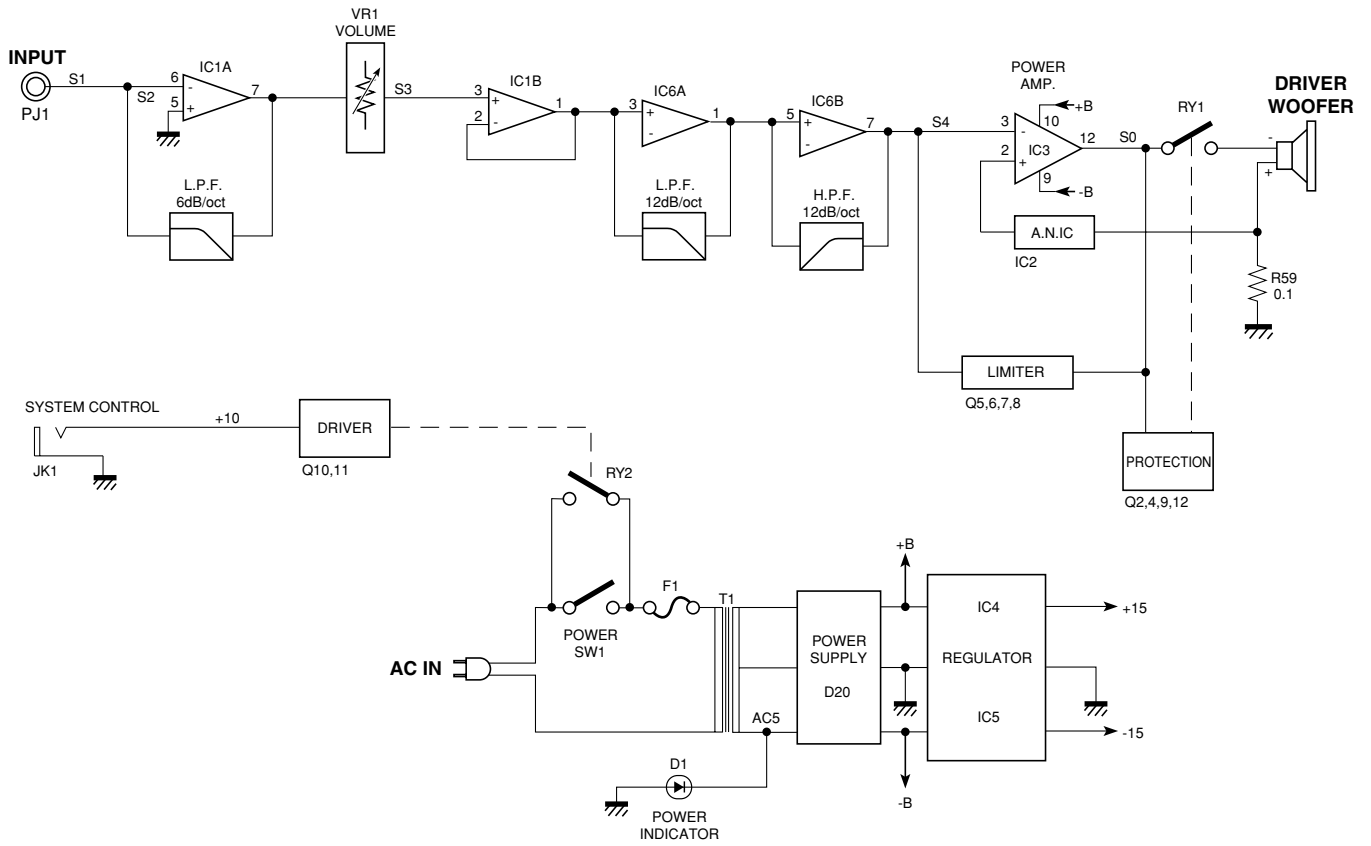


Fig. 6

# ■ BLOCK DIAGRAM

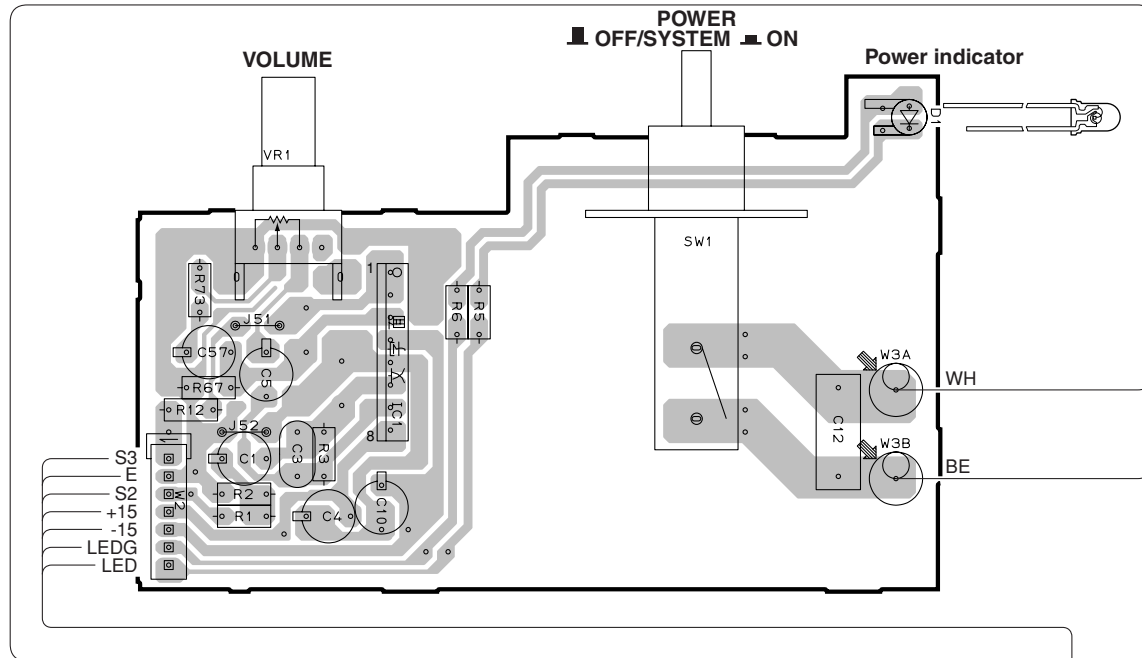
## YST-FSW150/YST-FSW050



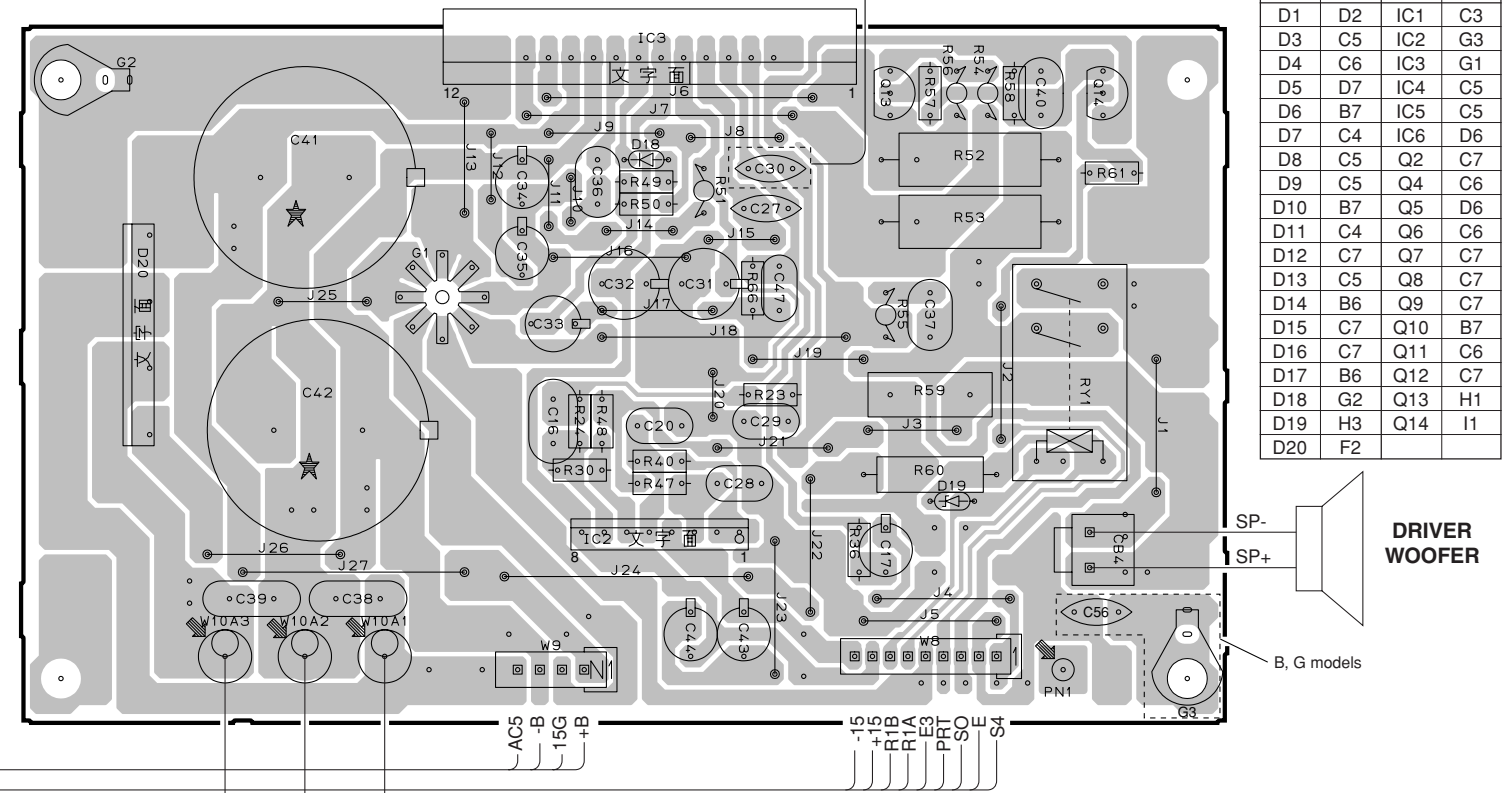
YST-FSW150

PRINTED CIRCUIT BOARDS

MAIN (3) P.C.B. (Side A)



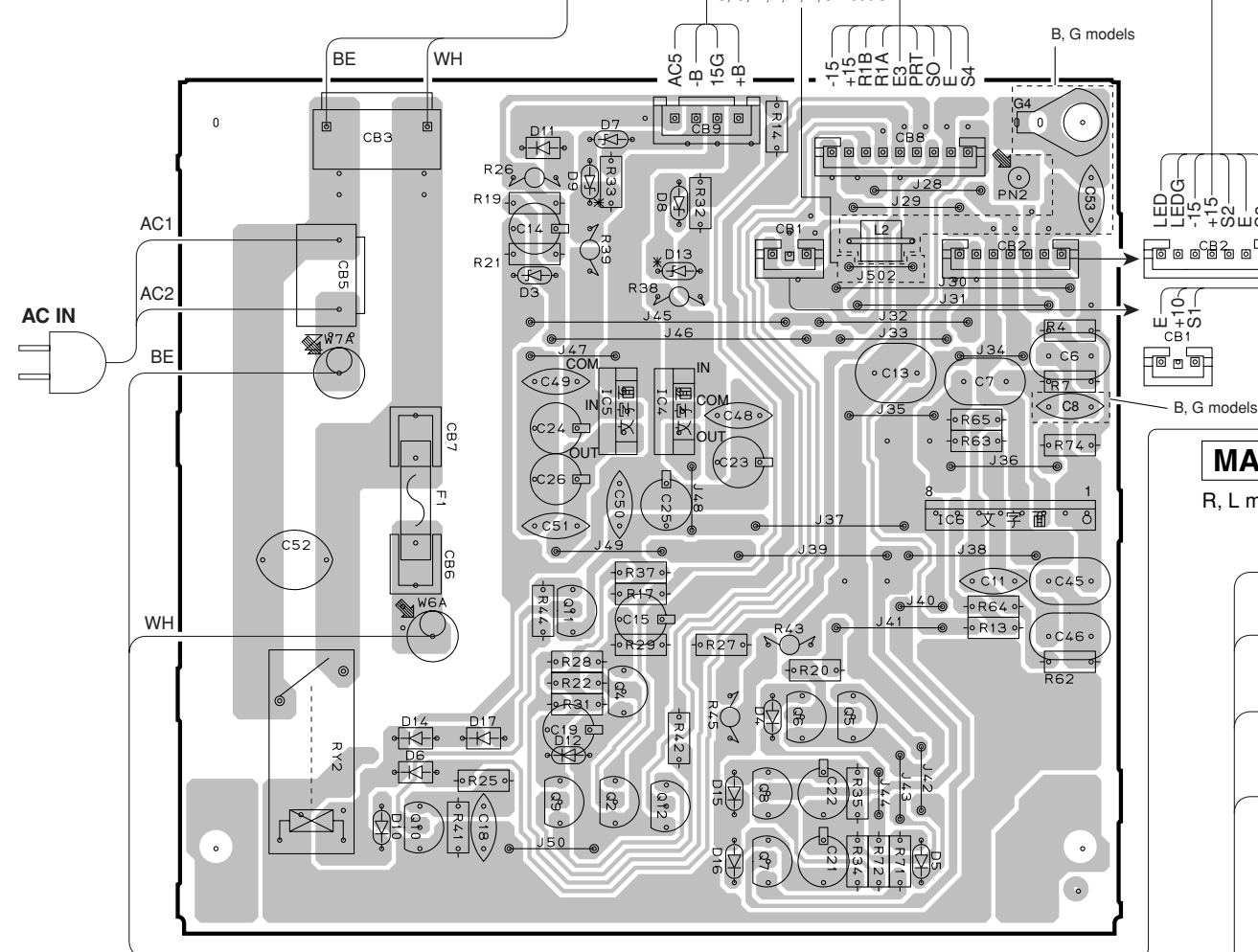
MAIN (1) P.C.B. (Side A)



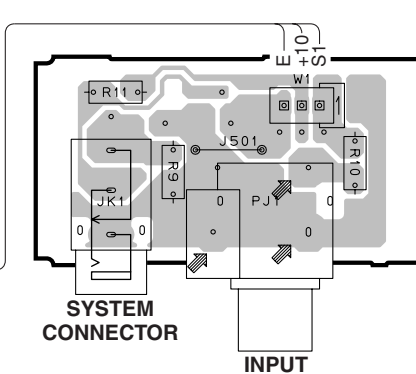
Semiconductor Location

Ref no.	Location	Ref no.	Location
D1	D2	IC1	C3
D3	C5	IC2	G3
D4	C6	IC3	G1
D5	D7	IC4	C5
D6	B7	IC5	C5
D7	C4	IC6	D6
D8	C5	Q2	C7
D9	C5	Q4	C6
D10	B7	Q5	D6
D11	C4	Q6	C6
D12	C7	Q7	C7
D13	C5	Q8	C7
D14	B6	Q9	C7
D15	C7	Q10	B7
D16	C7	Q11	C6
D17	B6	Q12	C7
D18	G2	Q13	H1
D19	H3	Q14	I1
D20	F2		

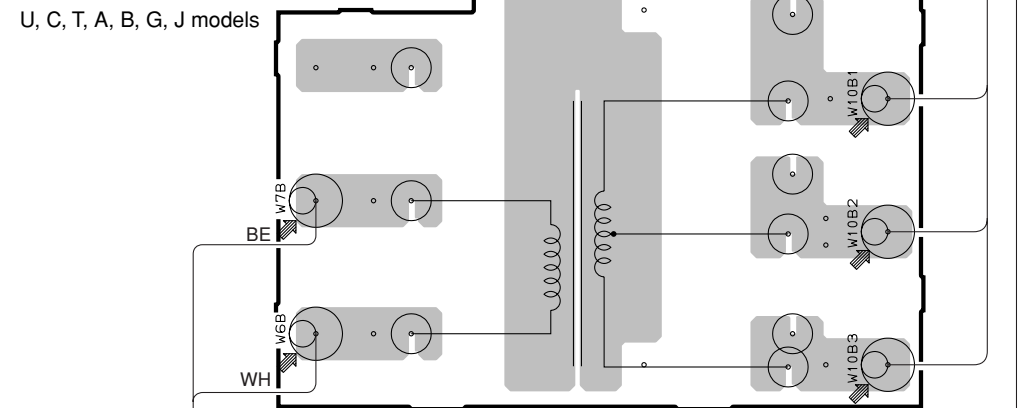
MAIN (2) P.C.B. (Side A)



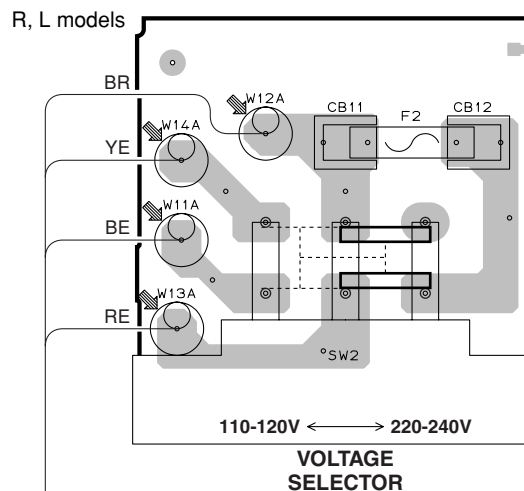
MAIN (4) P.C.B. (Side A)



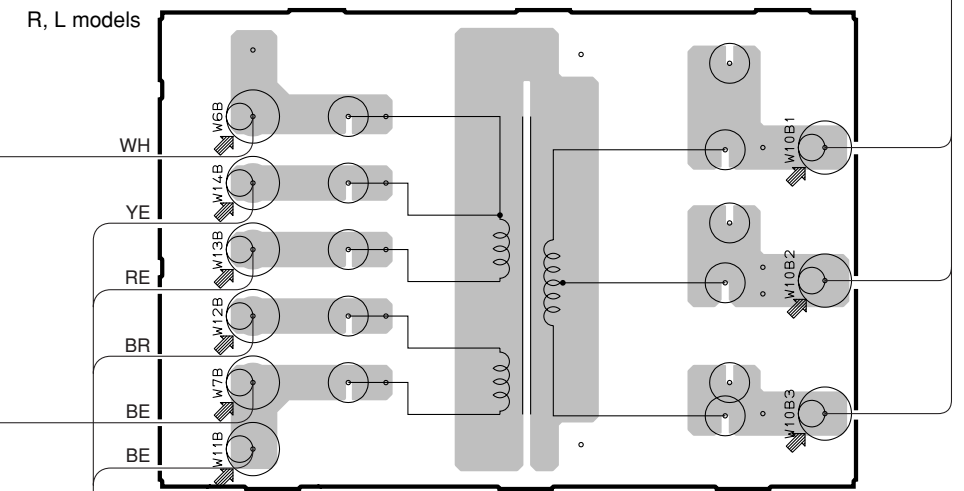
MAIN (7) P.C.B. (Side A)



MAIN (6) P.C.B. (Side A)



MAIN (8) P.C.B. (Side A)





SCHEMATIC DIAGRAMS  
MAIN

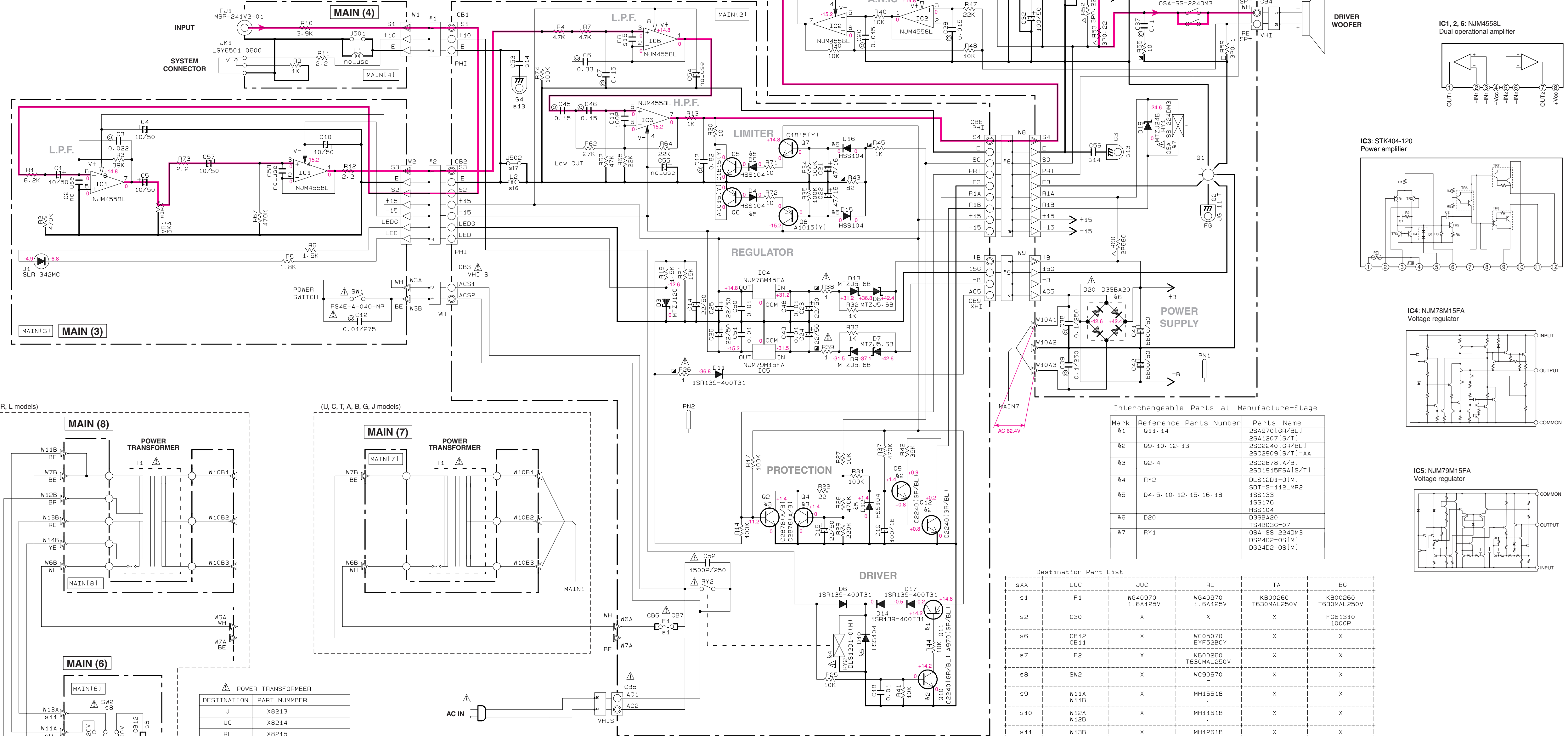
YST-FSW150

YST-FSW150/YST-FSW050

NOTICE (model)  
(J)..... JAPAN  
(U)..... U.S.A  
(C)..... CANADA  
(R)..... GENERAL  
(T)..... CHINA  
(K)..... KOREA  
(A)..... AUSTRALIA  
(B)..... BRITISH  
(G)..... EUROPE  
(L)..... SINGAPORE  
(E)..... SOUTH EUROPE  
(V)..... TAIWAN

REMARKS	PARTS NAME
NO MARK	ELECTROLYTIC CAPACITOR
⊗	TANTALUM CAPACITOR
NO MARK	CERAMIC CAPACITOR
⊙	CERAMIC TUBULAR CAPACITOR
⊖	POLYESTER FILM CAPACITOR
⊕	POLYSTYRENE FILM CAPACITOR
⊖	MICA CAPACITOR
⊖	POLYPROPYLENE FILM CAPACITOR
⊖	SEMICONDUCTIVE CERAMIC CAPACITOR
⊖	POLYPHENYLENE SULFIDE FILM CAPACITOR

REMARKS	PARTS NAME
NO MARK	CARBON FILM RESISTOR (P=5)
□	CARBON FILM RESISTOR (P=10)
△	METAL OXIDE FILM RESISTOR
△	METAL FILM RESISTOR
⊠	METAL PLATE RESISTOR
⊠	FIRE PROOF CARBON FILM RESISTOR
□	CEMENT MOLDED RESISTOR
⊖	SEMI VARIABLE RESISTOR
■	CHIP RESISTOR



Interchangeable Parts at Manufacture-Stage

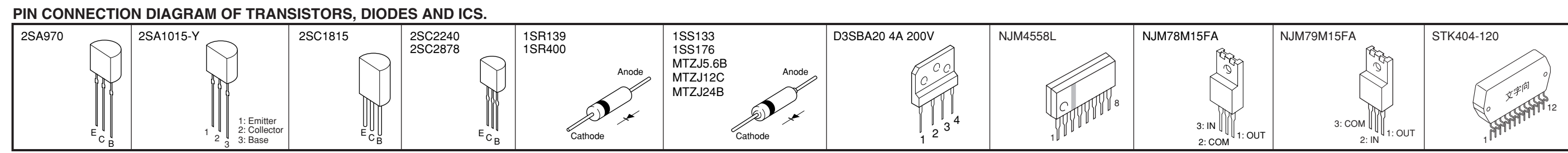
Mark	Reference Parts Number	Parts Name
&1	G11.14	2SA970 (GR/BL) 2SA1207 (S/T)
&2	09.10.12.13	2SC2240 (GR/BL) 2SC2909 (S/T)-AA
&3	02.4	2SC2878 (A/B) 2SD1915 (S/T)
&4	DY2	DL512D1-D (M) SDT-S-112LMR2
&5	D4.5.10.12.15.16.18	1SS133 1SS176 HSS104
&6	D20	D3SBA20
&7	D3	OSA-SS-224DM3 DS24D2-OS (M) DG24D2-OS (M)

Destination Part List

sXX	LOC	JUC	RL	TA	BG
s1	F1	WG40970 1.6A125V	WG40970 1.6A125V	KB00260 T630MAL250V	KB00260 T630MAL250V
s2	C30	X	X	X	FG61310 100P
s5	CB12 CB11	X	WC05070 EYF52BCY	X	X
s7	F2	X	KB00260 T630MAL250V	X	X
s8	SW2	X	WC90670	X	X
s9	W11A W11B	X	MH16618	X	X
s10	W12A W12B	X	MH11618	X	X
s11	W13B W13A	X	MH12618	X	X
s12	W14A W14B	X	MH14618	X	X
s13	G3 G4	X	X	X	V723510 JG3-11-T
s14	C53 C56	X	X	X	FG64410 0.0150
s15	CB	X	X	X	FG65122 22P
s16	L2	X	X	X	O
s17	J502	O	O	O	X

POWER TRANSFORMER

DESTINATION	PART NUMBER
J	XB213
UC	XB214
RL	XB215
T	XB216
A	XB732
BG	XB217



\* All voltages are measured with a 10MΩ/V DC electronic voltmeter.  
\* Components having special characteristics are marked ! and must be replaced with parts having specifications equal to those originally installed.  
\* Schematic diagram is subject to change without notice.

● 電圧は、内部抵抗10MΩの電圧計で測定したものです。  
● !印のある部品は、安全性確保部品を示しています。部品の交換が必要な場合、パーツリストに記載されている部品を使用してください。  
● 本回路図は標準回路図です。改良のため予告なく変更することがございます。

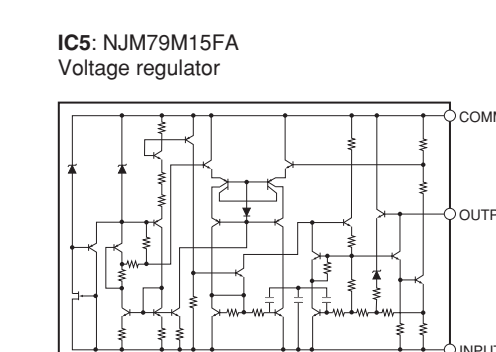
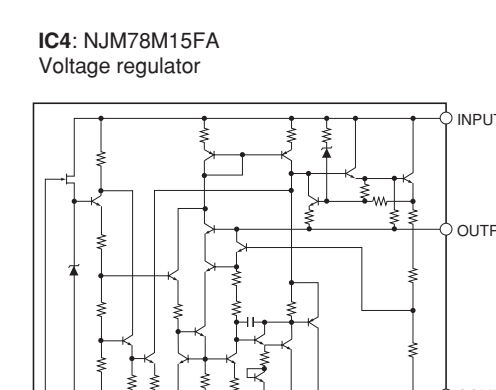
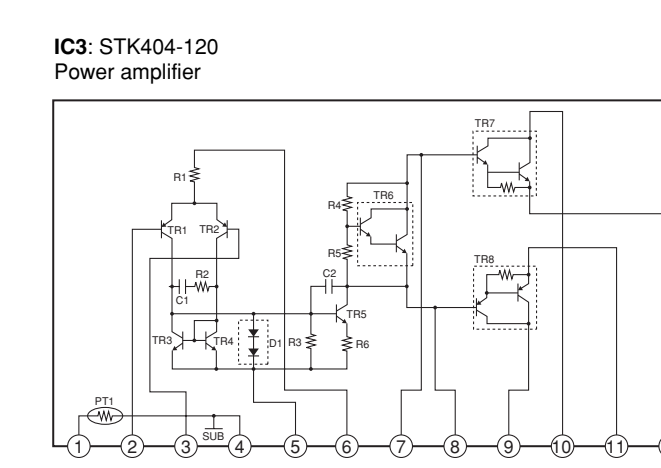
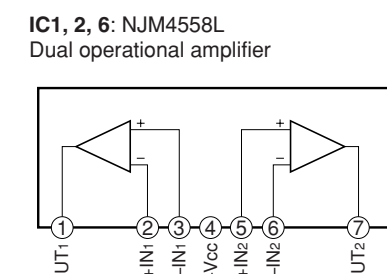
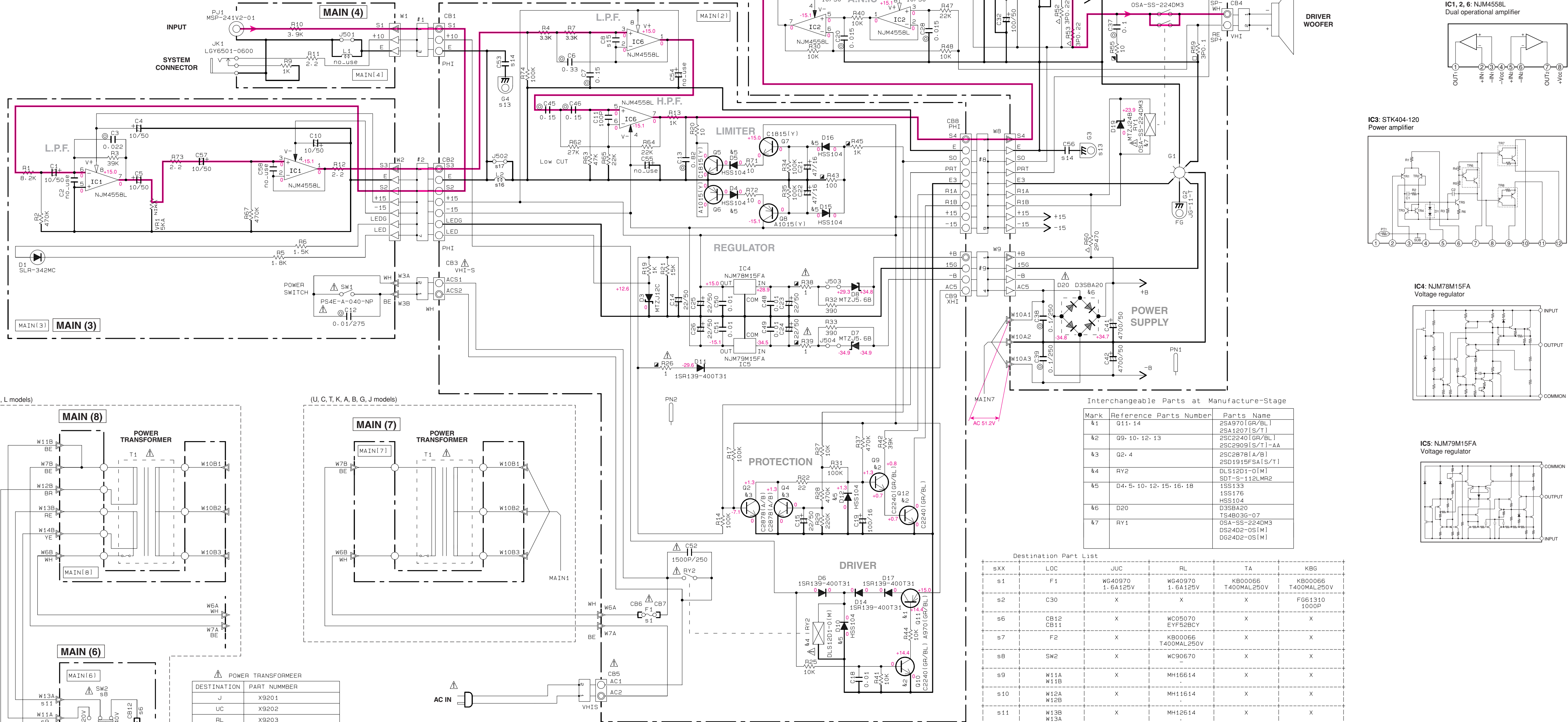
MAIN

YST-FSW050

NOTICE (model)  
 (J)..... JAPAN  
 (U)..... U.S.A  
 (C)..... CANADA  
 (R)..... GENERAL  
 (T)..... CHINA  
 (K)..... KOREA  
 (A)..... AUSTRALIA  
 (B)..... BRITISH  
 (G)..... EUROPE  
 (L)..... SINGAPORE  
 (E)..... SOUTH EUROPE  
 (V)..... TAIWAN

REMARKS	PARTS NAME
NO MARK	ELECTROLYTIC CAPACITOR
⊗	TANTALUM CAPACITOR
NO MARK	CERAMIC CAPACITOR
⊙	CERAMIC TUBULAR CAPACITOR
⊖	POLYESTER FILM CAPACITOR
○	POLYSTYRENE FILM CAPACITOR
Ⓜ	MICA CAPACITOR
Ⓟ	POLYPROPYLENE FILM CAPACITOR
Ⓢ	SEMICONDUCTIVE CERAMIC CAPACITOR
Ⓣ	POLYPHENYLENE SULFIDE FILM CAPACITOR

REMARKS	PARTS NAME
NO MARK	CARBON FILM RESISTOR (P=5)
⊠	CARBON FILM RESISTOR (P=10)
△	METAL OXIDE FILM RESISTOR
▲	METAL FILM RESISTOR
Ⓜ	METAL PLATE RESISTOR
Ⓝ	FIRE PROOF CARBON FILM RESISTOR
Ⓞ	CEMENT MOLDED RESISTOR
Ⓟ	SEMI VARIABLE RESISTOR
Ⓠ	CHIP RESISTOR



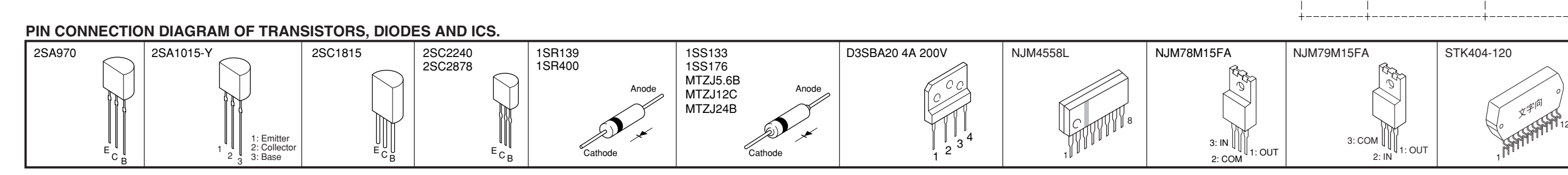
Interchangeable Parts at Manufacture-Stage

Mark	Reference Parts Number	Parts Name
&1	G11.14	2SA970 (GR/BL)
&2	Q9.10.12.13	2SA1207 (S/T)
&3	Q2.4	2SC2240 (GR/BL)
&4	RY2	2SC2909 (S/T)-AA
&5	D4.5.10.12.15.16.18	2SC2878 (A/B)
&6	D20	2SD1915 (S/T)
&7	RY1	DLS12D1-0 (M)
		SDT-S-112LMR2
		1SS133
		1SS176
		HSS104
		D35BA20
		TS4B03G-07
		OSA-SS-224DM3
		DS24D2-0S (M)
		DG24D2-0S (M)

Destination Part List

sXX	LOC	JUC	RL	TA	KBG
s1	F1	WG40970 1.6A125V	WG40970 1.6A125V	KB00066 T400MAL250V	KB00066 T400MAL250V
s2	C30	X	X	X	FG61310 1000P
s6	CB12 CB11	X	WC05070 EYF52BCY	X	X
s7	F2	X	KB00066 T400MAL250V	X	X
s8	SW2	X	WC90670	X	X
s9	W11A W11B	X	MH16614	X	X
s10	W12A W12B	X	MH1614	X	X
s11	W13A W13B	X	MH12614	X	X
s12	W14A W14B	X	MH14614	X	X
s13	G3	X	X	X	V723510 J5-11T
s14	CB3 CB5	X	X	X	FG64410 0.0150
s15	C8	X	X	X	FG65122 22P
s16	L2	X	X	X	O
s17	J502	O	O	O	X

★ All voltages are measured with a 10MΩ/V DC electronic voltmeter.  
 ★ Components having special characteristics are marked with a triangle and must be replaced with parts having specifications equal to those originally installed.  
 ★ Schematic diagram is subject to change without notice.  
 ● 電圧は、内部抵抗10MΩの電圧計で測定したものです。  
 ● 1印のある部品は、安全性確保部品を示しています。部品の交換が必要な場合、パーツリストに記載されている部品を使用してください。  
 ● 本回路図は標準回路図です。改良のため予告なく変更することがございます。





## ■ REPLACEMENT PARTS LIST

### ● ELECTRICAL COMPONENT PARTS

#### WARNING

- Components having special characteristics are marked  $\triangle$  and must be replaced with parts having specifications equal to those originally installed.
- $\triangle$ 印のある部分は、安全確保部品を示しています。部品の交換が必要な場合、パーツリストに記載されている部品を使用してください。
- 部品価格ランクは、予告なく変更することがあります。

#### ABBREVIATIONS IN THIS LIST ARE AS FOLLOWS:

C.A.EL.CHP	: CHIP ALUMI.ELECTROLYTIC CAP	L.EMIT	: LIGHT EMITTING MODULE
C.CE	: CERAMIC CAP	LED.DSPLY	: LED DISPLAY
C.CE.ARRAY	: CERAMIC CAP ARRAY	LED.INFRD	: LED,INFRARED
C.CE.CHP	: CHIP CERAMIC CAP	MODUL.RF	: MODULATOR,RF
C.CE.ML	: MULTILAYER CERAMIC CAP	PHOT.CPL	: PHOTO COUPLER
C.CE.M.CHP	: CHIP MULTILAYER CERAMIC CAP	PHOT.INTR	: PHOTO INTERRUPTER
C.CE.SAFTY	: RECOGNIZED CERAMIC CAP	PHOT.RFLCT	: PHOTO REFLECTOR
C.CE.TUBLR	: CERAMIC TUBULAR CAP	PIN.TEST	: PIN,TEST POINT
C.CE.SMI	: SEMI CONDUCTIVE CERAMIC CAP	PLST.RIVET	: PLASTIC RIVET
C.EL	: ELECTROLYTIC CAP	R.ARRAY	: RESISTOR ARRAY
C.MICA	: MICA CAP	R.CAR.	: CARBON RESISTOR
C.ML.FLM	: MULTILAYER FILM CAP	R.CAR.CHP	: CHIP RESISTOR
C.MP	: METALLIZED PAPER CAP	R.CAR.FP	: FLAME PROOF CARBON RESISTOR
C.MYLAR	: MYLAR FILM CAP	R.FUS	: FUSABLE RESISTOR
C.MYLAR.ML	: MULTILAYER MYLAR FILM CAP	R.MTL.CHP	: CHIP METAL FILM RESISTOR
C.PAPER	: PAPER CAPACITOR	R.MTL.FLM	: METAL FILM RESISTOR
C.PLS	: POLYSTYRENE FILM CAP	R.MTL.OXD	: METAL OXIDE FILM RESISTOR
C.POL	: POLYESTER FILM CAP	R.MTL.PLAT	: METAL PLATE RESISTOR
C.POLY	: POLYETHYLENE FILM CAP	RSNR.CE	: CERAMIC RESONATOR
C.PP	: POLYPROPYLENE FILM CAP	RSNR.CRYS	: CRYSTAL RESONATOR
C.TNTL	: TANTALUM CAP	R.TW.CEM	: TWIN CEMENT FIXED RESISTOR
C.TNTL.CHP	: CHIP TANTALUM CAP	R.CEMENT	: CEMENT RESISTOR
C.TRIM	: TRIMMER CAP	SCR.BND.HD	: BIND HEAD B-TIGHT SCREW
CN	: CONNECTOR	SCR.BW.HD	: BW HEAD TAPPING SCREW
CN.BS.PIN	: CONNECTOR,BASE PIN	SCR.CUP	: CUP TIGHT SCREW
CN.CANNON	: CONNECTOR,CANNON	SCR.TERM	: SCREW TERMINAL
CN.DIN	: CONNECTOR,DIN	SCR.TR	: SCREW,TRANSISTOR
CN.FLAT	: CONNECTOR,FLAT CABLE	SUPRT.PCB	: SUPPORT,P.C.B.
CN.POST	: CONNECTOR,BASE POST	SURG.PRTCT	: SURGE PROTECTOR
COIL.MX.AM	: COIL,AM MIX	SW.TACT	: TACT SWITCH
COIL.AT.FM	: COIL,FM ANTENNA	SW.LEAF	: LEAF SWITCH
COIL.DT.FM	: COIL,FM DETECT	SW.LEVER	: LEVER SWITCH
COIL.MX.FM	: COIL,FM MIX	SW.MICRO	: MICRO SWITCH
COIL.OUTPT	: OUTPUT COIL	SW.PUSH	: PUSH SWITCH
DIOD.ARRAY	: DIODE ARRAY	SW.RT.ENC	: ROTARY ENCODER
DIODE.BRG	: DIODE BRIDGE	SW.RT.MTR	: ROTARY SWITCH WITH MOTOR
DIODE.CHP	: CHIP DIODE	SW.RT	: ROTARY SWITCH
DIODE.VAR	: VARACTOR DIODE	SW.SLIDE	: SLIDE SWITCH
DIOD.Z.CHP	: CHIP ZENER DIODE	TERM.SP	: SPEAKER TERMINAL
DIODE.ZENR	: ZENER DIODE	TERM.WRAP	: WRAPPING TERMINAL
DSCR.CE	: CERAMIC DISCRIMINATOR	THRMST.CHP	: CHIP THERMISTOR
FER.BEAD	: FERRITE BEADS	TR.CHP	: CHIP TRANSISTOR
FER.CORE	: FERRITE CORE	TR.DGT	: DIGITAL TRANSISTOR
FET.CHP	: CHIP FET	TR.DGT.CHP	: CHIP DIGITAL TRANSISTOR
FL.DSPLY	: FLUORESCENT DISPLAY	TRANS	: TRANSFORMER
FLTR.CE	: CERAMIC FILTER	TRANS.PULS	: PULSE TRANSFORMER
FLTR.COMB	: COMB FILTER MODULE	TRANS.PWR	: POWER TRANSFORMER ASS'Y
FLTR.LC.RF	: LC FILTER,EMI	TUNER.AM	: TUNER PACK,AM
GND.MTL	: GROUND PLATE	TUNER.FM	: TUNER PACK,FM
GND.TERM	: GROUND TERMINAL	TUNER.PK	: FRONT-ENDTUNER PACK
HOLDER.FUS	: FUSE HOLDER	VR	: ROTARY POTENTIOMETER
IC.PRTCT	: IC PROTECTOR	VR.MTR	: POTENTIOMETER WITH MOTOR
JUMPER.CN	: JUMPER CONNECTOR	VR.SW	: POTENTIOMETER WITH ROTARY SW
JUMPER.TST	: JUMPER,TEST POINT	VR.SLIDE	: SLIDE POTENTIOMETER
L.DTCT	: LIGHT DETECTING MODULE	VR.TRIM	: TRIMMER POTENTIOMETER

## YST-FSW150

## P.C.B. MAIN

Ref No.	Part No.	Description	Remarks	Markets	部 品 名	ランク	
*	WM039700	P. C. B.	MAIN	150	JUC	P C B メイン	
*	WM039800	P. C. B.	MAIN	150	RL	P C B メイン	
*	WM039900	P. C. B.	MAIN	150	TA	P C B メイン	
*	WM040000	P. C. B.	MAIN	150	BG	P C B メイン	
	CB1	VB389900 CN. BS. PIN	3P	150		ベースピン	01
	CB2	VB390300 CN. BS. PIN	7P	150		ベースピン	01
⚠	CB3	VT807100 CN. BS. PIN	2P	150		ベースポスト	01
	CB4	LB932020 CN. BS. PIN	2P	150		ベースポスト	01
⚠	CB5	VG879900 CN. BS. PIN	2P	150		ベースピン	01
	CB6-7	WC050700 CL. IP. FUSE	EYF-52BCY	150		ヒューズクリップ	01
	CB8	VB390500 CN. BS. PIN	9P	150		コネクタベースポスト	03
	CB9	LB918040 CN. BS. PIN	4P	150		ベース付ポスト	01
	CB11-12	WC050700 CL. IP. FUSE	EYF-52BCY	150	RL	ヒューズクリップ	01
	C1	UR867100 C. EL	10uF 50V	150		ケミコン	01
	C3	UA654220 C. MYLAR	0.022uF 50V J	150		マイラーコン	01
	C4-5	UR867100 C. EL	10uF 50V	150		ケミコン	01
	C6	UA655330 C. MYLAR	0.33uF 50V	150		マイラーコン	01
	C7	VE326200 C. MYLAR	0.15uF 50V	150		マイラーコン	01
	C8	FG651220 C. CE	22pF 50V	150	BG	セラコン	01
	C10	UR867100 C. EL	10uF 50V	150		ケミコン	01
	C11	FG652100 C. CE	100pF 50V	150		セラコン	01
⚠	C12	V6185300 C. CE. SAFTY	0.01uF 275V	150		規格認定コンデンサ	01
	C13	VE327100 C. MYLAR	0.82uF 50V	150		マイラーコン	02
	C14-15	UR867220 C. EL	22uF 50V	150		ケミコン	01
	C16	VE326800 C. MYLAR	0.47uF 50V	150		マイラーコン	01
	C17	UR838100 C. EL	100uF 16V	150		ケミコン	01
	C18	FG644100 C. CE	0.01uF 50V	150		セラコン	01
	C19	UR838100 C. EL	100uF 16V	150		ケミコン	01
	C20	UA654150 C. MYLAR	0.015uF 50V J	150		マイラーコン	01
	C21-22	UR837470 C. EL	47uF 16V	150		ケミコン	01
	C23-26	UR867220 C. EL	22uF 50V	150		ケミコン	01
	C27	FG652100 C. CE	100pF 50V	150		セラコン	01
	C28	UA654150 C. MYLAR	0.015uF 50V J	150		マイラーコン	01
	C29	UA654100 C. MYLAR	0.01uF 50V J	150		マイラーコン	01
	C30	FG613100 C. CE	1000pF 50V	150	BG	セラコン	01
	C31-32	UR868100 C. EL	100uF 50V	150		ケミコン	01
	C33	UR867470 C. EL	47uF 50V	150		ケミコン	01
	C34-35	UR867100 C. EL	10uF 50V	150		ケミコン	01
	C36	UA654680 C. MYLAR	0.068uF 50V J	150		マイラーコン	02
	C37	VE326000 C. MYLAR	0.1uF 50V	150		マイラーコン	01
	C38-39	WB540200 C. POL. MTL	0.1uF 250V	150		メタライズドポリコン	
	C40	VE326000 C. MYLAR	0.1uF 50V	150		マイラーコン	01
	C41-42	V3757300 C. EL	6800uF 50V	150		ケミコン	06
	C43-44	UR867100 C. EL	10uF 50V	150		ケミコン	01
	C45-46	VE326200 C. MYLAR	0.15uF 50V	150		マイラーコン	
	C47	UA653220 C. MYLAR	2200pF 50V J	150		マイラーコン	01
	C48-51	FG644100 C. CE	0.01uF 50V	150		セラコン	01
⚠	C52	V7682500 C. CE. SAFTY	1500pF 250V	150		規格認定コンデンサ	01
	C53	FG644100 C. CE	0.01uF 50V	150	BG	セラコン	01
	C56	FG644100 C. CE	0.01uF 50V	150	BG	セラコン	01
	C57	UR867100 C. EL	10uF 50V	150		ケミコン	01
	D1	VR745300 LED	SLR-34MC3 GREEN	150		L E D	01
	D3	VG440300 DIODE. ZENR	MTZJ12C 12V	150		ツェナーダイオード	01
	D4-5	VD631600 DIODE	1SS133, 176	150		ダイオード	01
	D6	VU264100 DIODE	1SR139, 400	150		ダイオード	01

\* New Parts \* 新規部品

## YST-FSW150

## P.C.B. MAIN

Ref No.	Part No.	Description	Remarks	Markets	部 品 名	ランク	
D7-9	VG437700	DIODE. ZENR	MTZJ5. 6B 5.6V	150		ツェナーダイオード	01
D10	VD631600	DIODE	1SS133, 176	150		ダイオード	01
D11	VU264100	DIODE	1SR139, 400	150		ダイオード	01
D12	VD631600	DIODE	1SS133, 176	150		ダイオード	01
D13	VG437700	DIODE. ZENR	MTZJ5. 6B 5.6V	150		ツェナーダイオード	01
D14	VU264100	DIODE	1SR139, 400	150		ダイオード	01
D15-16	VD631600	DIODE	1SS133, 176	150		ダイオード	01
D17	VU264100	DIODE	1SR139, 400	150		ダイオード	01
D18	VD631600	DIODE	1SS133, 176	150		ダイオード	01
D19	VG442500	DIODE. ZENR	MTZJ24B 24V	150		ツェナーダイオード	01
△ D20	VN011300	DIODE. BRG	D3SBA20 4A 200V	150		ダイオードブリッジ	03
△ F1	WG409700	FUSE	1.6A 125V	150	JUCRL	ヒューズ	
△ F1	KB002600	FUSE	T630mA 250V	150	TABG	ヒューズ	02
△ F2	KB002600	FUSE	T630mA 250V	150	RL	ヒューズ	02
G1	V5995800	PLATE. GND		150		アースプレート	
G2	V7235100	CN. GND	JG-11-T	150		接地端子	
G3-4	V7235100	CN. GND	JG-11-T	150	BG	接地端子	
△ IC1-2	XM922A00	IC	NJM4558L	150		IC	01
△ IC3	X3830A00	IC. AMP	STK404-120 120W	150		アンプIC	08
IC4	XJ603A00	IC	NJM78M15FA	150		IC	02
IC5	XG505A00	IC	NJM79M15FA	150		IC	03
IC6	XM922A00	IC	NJM4558L	150		IC	01
JK1	VJ726800	JACK. MNI	LGY6501-0600C	150		モノラルミニジャック	01
PJ1	WF342300	JACK. PIN	1P MSP-241V2	150		ピンジャック	02
PN1-2	WB543700	PIN	WB54370 L=70 #18	150		スタイルピン	
Q2	iC287820	TR	2SC2878 A,B	150		トランジスタ	01
Q4	iC287820	TR	2SC2878 A,B	150		トランジスタ	01
Q5	iC181510	TR	2SC1815 Y	150		トランジスタ	01
Q6	iA101510	TR	2SA1015 Y	150		トランジスタ	01
Q7	iC181510	TR	2SC1815 Y	150		トランジスタ	01
Q8	iA101510	TR	2SA1015 Y	150		トランジスタ	01
Q9-10	iC224030	TR	2SC2240 GR, BL	150		トランジスタ	01
Q11	iA097030	TR	2SA970 GR, BL	150		トランジスタ	01
Q12-13	iC224030	TR	2SC2240 GR, BL	150		トランジスタ	01
Q14	iA097030	TR	2SA970 GR, BL	150		トランジスタ	01
△ R26	HV753100	R. CAR. FP	1Ω 1/4W	150		不燃化カーボン抵抗	01
R36	HB026330	R. MTL. FLM	3.3KΩ 1/4W	150		金属被膜抵抗	01
△ R38-39	HV753100	R. CAR. FP	1Ω 1/4W	150		不燃化カーボン抵抗	01
R43	HV754820	R. CAR. FP	82Ω 1/4W	150		不燃化カーボン抵抗	01
R45	HV756100	R. CAR. FP	1KΩ 1/4W	150		不燃化カーボン抵抗	01
R51	HV755150	R. CAR. FP	150Ω 1/4W	150		不燃化カーボン抵抗	01
R52-53	VZ092500	R. MTL. OXD	0.22Ω 3W	150		酸化金属被膜抵抗	01
R54	HV756390	R. CAR. FP	3.9KΩ 1/4W	150		不燃化カーボン抵抗	01
R55	HV754100	R. CAR. FP	10Ω 1/4W	150		不燃化カーボン抵抗	01
R56	HV756120	R. CAR. FP	1.2KΩ 1/4W	150		不燃化カーボン抵抗	01
R59	V6022600	R. CEMENT	0.1Ω 3W	150		セメント抵抗	
R60	VC761000	R. MTL. OXD	680Ω 2W	150		酸化金属被膜抵抗	01
R66	HB028100	R. MTL. FLM	100KΩ 1/4W	150		金属被膜抵抗	
△ RY1	VU161600	RELAY	DC OSA-SS-224DM3	150		リレー 24V	05
△ RY2	V5859300	RELAY	DC DLS12D1-0(M)	150		リレー 12V	04
△ SW1	WG803400	SW. PUSH	PS4E-A-040-NP	150		プッシュSW	
△ SW2	WC906700	SW. SLIDE	SDKPA40300	150	RL	スライドSW	06
VR1	WF340600	VR	A 5KΩ	150		ロータリーVR	04

\* New Parts \* 新規部品

## YST-FSW050

## P.C.B. MAIN

Ref No.	Part No.	Description	Remarks	Markets	部 品 名	ランク	
*	WM040100	P. C. B.	MAIN	050	JUC	P C B メイン	
*	WM040200	P. C. B.	MAIN	050	RL	P C B メイン	
*	WM040300	P. C. B.	MAIN	050	TA	P C B メイン	
*	WM040400	P. C. B.	MAIN	050	KBG	P C B メイン	
	CB1	VB389900	CN. BS. PIN	3P		ベースピン	01
	CB2	VB390300	CN. BS. PIN	7P		ベースピン	01
△	CB3	VT807100	CN. BS. PIN	2P		ベースポスト	01
	CB4	LB932020	CN. BS. PIN	2P		ベースポスト	01
△	CB5	VG879900	CN. BS. PIN	2P		ベースピン	01
	CB6-7	WC050700	CLIP. FUSE	EYF-52BCY		ヒューズクリップ	01
	CB8	VB390500	CN. BS. PIN	9P		コネクタベースポスト	03
	CB9	LB918040	CN. BS. PIN	4P		ベース付ポスト	01
	CB11-12	WC050700	CLIP. FUSE	EYF-52BCY	RL	ヒューズクリップ	01
	C1	UR867100	C. EL	10uF 50V		ケミコン	01
	C3	UA654220	C. MYLAR	0.022uF 50V J		マイラーコン	01
	C4-5	UR867100	C. EL	10uF 50V		ケミコン	01
	C6	UA655330	C. MYLAR	0.33uF 50V		マイラーコン	01
	C7	VE326200	C. MYLAR	0.15uF 50V		マイラーコン	01
	C8	FG651220	C. CE	22pF 50V	KBG	セラコン	01
	C10	UR867100	C. EL	10uF 50V		ケミコン	01
	C11	FG652100	C. CE	100pF 50V		セラコン	01
△	C12	V6185300	C. CE. SAFTY	0.01uF 275V		規格認定コンデンサ	01
	C13	VE327100	C. MYLAR	0.82uF 50V		マイラーコン	02
	C14-15	UR867220	C. EL	22uF 50V		ケミコン	01
	C16	VE326800	C. MYLAR	0.47uF 50V		マイラーコン	01
	C17	UR838100	C. EL	100uF 16V		ケミコン	01
	C18	FG644100	C. CE	0.01uF 50V		セラコン	01
	C19	UR838100	C. EL	100uF 16V		ケミコン	01
	C20	UA654150	C. MYLAR	0.015uF 50V J		マイラーコン	01
	C21-22	UR837470	C. EL	47uF 16V		ケミコン	01
	C23-26	UR867220	C. EL	22uF 50V		ケミコン	01
	C27	FG652100	C. CE	100pF 50V		セラコン	01
	C28	UA654150	C. MYLAR	0.015uF 50V J		マイラーコン	01
	C29	UA654100	C. MYLAR	0.01uF 50V J		マイラーコン	01
	C30	FG613100	C. CE	1000pF 50V	KBG	セラコン	01
	C31-32	UR868100	C. EL	100uF 50V		ケミコン	01
	C33	UR867470	C. EL	47uF 50V		ケミコン	01
	C34-35	UR867100	C. EL	10uF 50V		ケミコン	01
	C36	UA654680	C. MYLAR	0.068uF 50V J		マイラーコン	02
	C37	VE326000	C. MYLAR	0.1uF 50V		マイラーコン	01
	C38-39	WB540200	C. POL. MTL	0.1uF 250V		メタライズドポリコン	01
	C40	VE326000	C. MYLAR	0.1uF 50V		マイラーコン	01
*	C41-42	WG587700	C. EL	4700uF 50V		ケミコン	01
	C43-44	UR867100	C. EL	10uF 50V		ケミコン	01
	C45-46	VE326200	C. MYLAR	0.15uF 50V		マイラーコン	01
	C47	UA653220	C. MYLAR	2200pF 50V J		マイラーコン	01
	C48-51	FG644100	C. CE	0.01uF 50V		セラコン	01
△	C52	V7682500	C. CE. SAFTY	1500pF 250V		規格認定コンデンサ	01
	C53	FG644100	C. CE	0.01uF 50V	KBG	セラコン	01
	C56	FG644100	C. CE	0.01uF 50V	KBG	セラコン	01
	C57	UR867100	C. EL	10uF 50V		ケミコン	01
	D1	VR745300	LED	SLR-34MC3 GREEN		L E D	01
	D3	VG440300	DIODE. ZENR	MTZJ12C 12V		ツェナーダイオード	01
	D4-5	VD631600	DIODE	1SS133, 176		ダイオード	01
	D6	VU264100	DIODE	1SR139, 400		ダイオード	01

\* New Parts \* 新規部品

## YST-FSW050

## P.C.B. MAIN

Ref No.	Part No.	Description	Remarks	Markets	部 品 名	ランク
D7-8	VG437700	DIODE. ZENR	MTZJ5. 6B 5.6V	050	ツェナーダイオード	01
D10	VD631600	DIODE	1SS133, 176	050	ダイオード	01
D11	VU264100	DIODE	1SR139, 400	050	ダイオード	01
D12	VD631600	DIODE	1SS133, 176	050	ダイオード	01
D14	VU264100	DIODE	1SR139, 400	050	ダイオード	01
D15-16	VD631600	DIODE	1SS133, 176	050	ダイオード	01
D17	VU264100	DIODE	1SR139, 400	050	ダイオード	01
D18	VD631600	DIODE	1SS133, 176	050	ダイオード	01
D19	VG442500	DIODE. ZENR	MTZJ24B 24V	050	ツェナーダイオード	01
△ D20	VN011300	DIODE. BRG	D3SBA20 4A 200V	050	ダイオードブリッジ	03
△ F1	WG409700	FUSE	1.6A 125V	050	JUCRL ヒューズ	
△ F1	KB000660	FUSE	400mA 250V	050	TAKBG ヒューズ	02
F2	KB000660	FUSE	400mA 250V	050	RL ヒューズ	02
G1	V5995800	PLATE. GND		050	アースプレート	
G2	V7235100	CN. GND	JG-11-T	050	接地端子	
G3-4	V7235100	CN. GND	JG-11-T	050	KBG 接地端子	
△ IC1-2	XM922A00	IC	NJM4558L	050	IC	01
△ IC3	X3830A00	IC. AMP	STK404-120 120W	050	アンプIC	08
IC4	XJ603A00	IC	NJM78M15FA	050	IC	02
IC5	XG505A00	IC	NJM79M15FA	050	IC	03
IC6	XM922A00	IC	NJM4558L	050	IC	01
JK1	VJ726800	JACK. MNI	LGY6501-0600C	050	モノラルミニジャック	01
PJ1	WF342300	JACK. PIN	1P MSP-241V2	050	ピンジャック	02
PN1-2	WB543700	PIN	WB54370 L=70 #18	050	スタイルピン	
Q2	iC287820	TR	2SC2878 A,B	050	トランジスタ	01
Q4	iC287820	TR	2SC2878 A,B	050	トランジスタ	01
Q5	iC181510	TR	2SC1815 Y	050	トランジスタ	01
Q6	iA101510	TR	2SA1015 Y	050	トランジスタ	01
Q7	iC181510	TR	2SC1815 Y	050	トランジスタ	01
Q8	iA101510	TR	2SA1015 Y	050	トランジスタ	01
Q9-10	iC224030	TR	2SC2240 GR, BL	050	トランジスタ	01
Q11	iA097030	TR	2SA970 GR, BL	050	トランジスタ	01
Q12-13	iC224030	TR	2SC2240 GR, BL	050	トランジスタ	01
Q14	iA097030	TR	2SA970 GR, BL	050	トランジスタ	01
△ R26	HV753100	R. CAR. FP	1Ω 1/4W	050	不燃化カーボン抵抗	01
R36	HB026270	R. MTL. FLM	2.7KΩ 1/4W	050	金属被膜抵抗	01
△ R38-39	HV753100	R. CAR. FP	1Ω 1/4W	050	不燃化カーボン抵抗	01
R43	HV755100	R. CAR. FP	100Ω 1/4W	050	不燃化カーボン抵抗	01
R45	HV756100	R. CAR. FP	1KΩ 1/4W	050	不燃化カーボン抵抗	01
R51	HV755100	R. CAR. FP	100Ω 1/4W	050	不燃化カーボン抵抗	01
R52-53	VZ092500	R. MTL. OXD	0.22Ω 3W	050	酸化金属被膜抵抗	01
R54	HV756390	R. CAR. FP	3.9KΩ 1/4W	050	不燃化カーボン抵抗	01
R55	HV754100	R. CAR. FP	10Ω 1/4W	050	不燃化カーボン抵抗	01
R56	HV756120	R. CAR. FP	1.2KΩ 1/4W	050	不燃化カーボン抵抗	01
R59	V6022600	R. CEMENT	0.1Ω 3W	050	セメント抵抗	
R60	VC760500	R. MTL. OXD	470Ω 2W	050	酸化金属被膜抵抗	01
R66	HB028100	R. MTL. FLM	100KΩ 1/4W	050	金属被膜抵抗	
△ RY1	VU161600	RELAY	DC OSA-SS-224DM3	050	リレー 24V	05
△ RY2	V5859300	RELAY	DC DLS12D1-0(M)	050	リレー 12V	04
△ SW1	WG803400	SW. PUSH	PS4E-A-040-NP	050	プッシュSW	
△ SW2	WC906700	SW. SLIDE	SDKPA40300	050	RL スライドSW	06
VR1	WF340600	VR	A 5KΩ	050	ロータリーVR	04

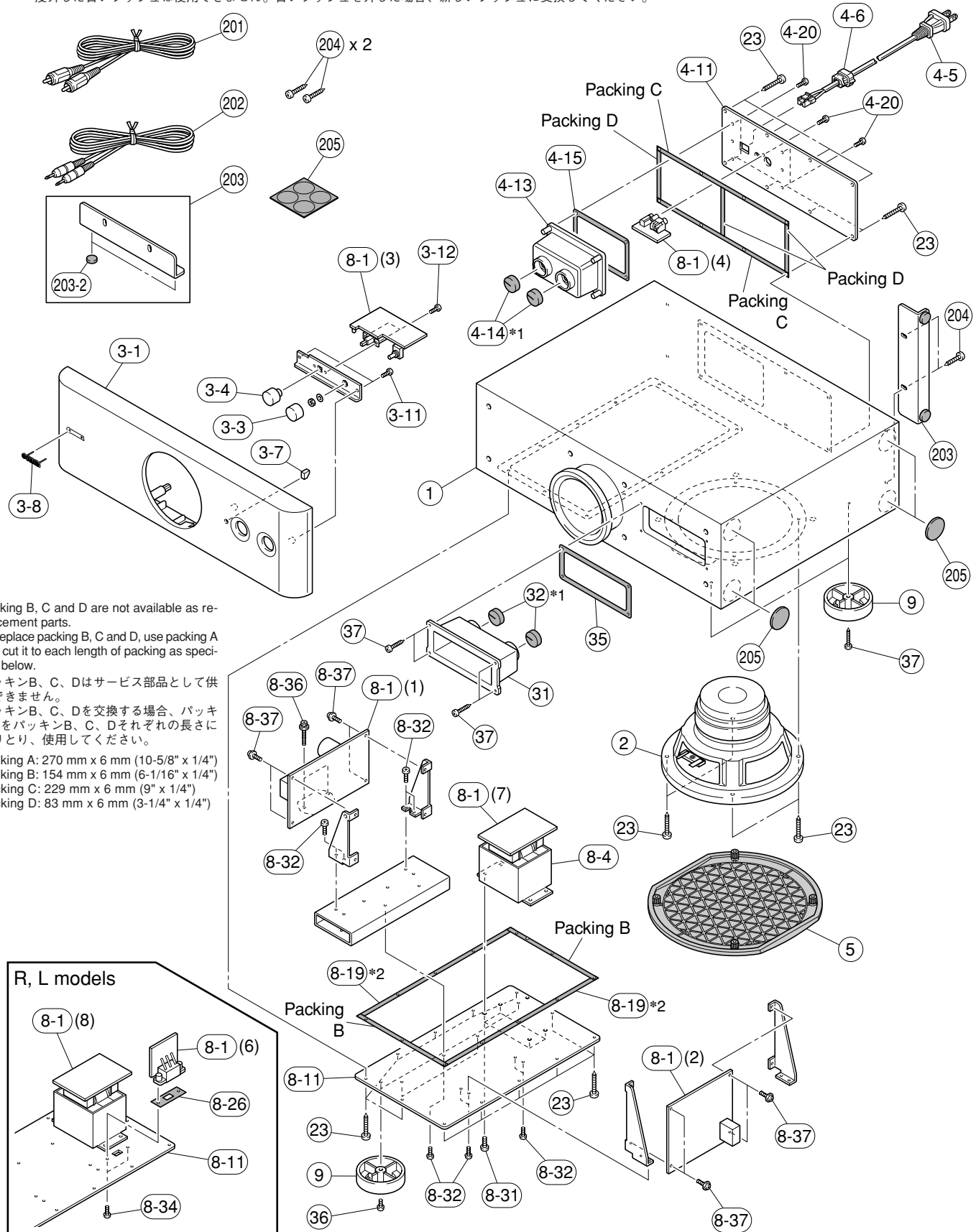
\* New Parts \* 新規部品

## YST-FSW150/YST-FSW050

# OVERALL ASS'Y

## YST-FSW150

\*1 Used bushing, once removed, cannot be reused. Be sure to use a new bushing in place of the removed used bushing.  
一度外した古いブッシュは使用できません。古いブッシュを外した場合、新しいブッシュに交換してください。



\*2 Packing B, C and D are not available as replacement parts.  
To replace packing B, C and D, use packing A and cut it to each length of packing as specified below.

パッキンB、C、Dはサービス部品として供給できません。  
パッキンB、C、Dを交換する場合、パッキンAをパッキンB、C、Dそれぞれの長さに切りとり、使用してください。

Packing A: 270 mm x 6 mm (10-5/8" x 1/4")  
Packing B: 154 mm x 6 mm (6-1/16" x 1/4")  
Packing C: 229 mm x 6 mm (9" x 1/4")  
Packing D: 83 mm x 6 mm (3-1/4" x 1/4")

Ref No.	Part No.	Description	Remarks	Markets	部 品 名	ランク		
*	1	WM036800	CABINET ASS'Y	BL	キャビネットASSY			
*	1	WM037000	CABINET ASS'Y	SI	キャビネットASSY			
	2	X2323C00	DRIVER WOOFER	JA1689	スピーカーユニット			
*	3-1	WK872100	FRONT PANEL	BL	フロントパネル			
*	3-1	WK872200	FRONT PANEL	SI	フロントパネル			
*	3-3	WK873100	VOLUME KNOB	BL	ボリュームツマミ			
*	3-3	WK873200	VOLUME KNOB	SI	ボリュームツマミ			
*	3-4	WK873300	SWITCH KNOB	BL	スイッチノブ			
*	3-4	WK873400	SWITCH KNOB	SI	スイッチノブ			
*	3-7	WK873600	LENS LED		LEDレンズ			
	3-8	V6034100	EMBLEM		エンブレム	03		
	3-11	WF268000	BIND HEAD P-TIGHT SCREW	3x10	MFZN2B3	01		
	3-12	WE774400	BIND HEAD B-TIGHT SCREW	3x8	MFZN2B3	01		
*	△	4-5	WF766600	POWER CABLE	2m	J	電源コード	
*	△	4-5	WF766700	POWER CABLE	2m	UC	電源コード	
	△	4-5	WC992700	POWER CABLE	2m	R	電源コード	
	△	4-5	WB120600	POWER CABLE	2m	T	電源コード	
	△	4-5	WC743700	POWER CABLE	2m	A	電源コード	
	△	4-5	WB212200	POWER CABLE	2m	B	電源コード	
*	△	4-5	WF686100	POWER CABLE	2m	GL	電源コード	
	4-6	V2438700	CORD STOPPER	10P1			コードストッパー	02
*	4-11	WK873800	REAR PANEL	J	リアパネル			
*	4-11	WK873900	REAR PANEL	UC	リアパネル			
*	4-11	WK874300	REAR PANEL	RL	リアパネル			
*	4-11	WK874000	REAR PANEL	T	リアパネル			
*	4-11	WK874100	REAR PANEL	A	リアパネル			
*	4-11	WK874200	REAR PANEL	BG	リアパネル			
*	4-13	WK872900	REAR COVER		リアカバー			
	4-14	WC736000	BUSH		ブッシュ	01		
*	4-15	WK917100	PACKING F	96x62x1			パッキン F	
	4-20	WF268000	BIND HEAD P-TIGHT SCREW	3x10	MFZN2B3	01		
*	5	WM038800	BOTTOM GRILLE ASS'Y		ボトムグリルASSY			
*	8-1	WM039700	P.C.B. ASS'Y	MAIN	JUC		PCB メイン	
*	8-1	WM039800	P.C.B. ASS'Y	MAIN	RL		PCB メイン	
*	8-1	WM039900	P.C.B. ASS'Y	MAIN	TA		PCB メイン	
*	8-1	WM040000	P.C.B. ASS'Y	MAIN	BG		PCB メイン	
*	△	8-4	X8213A00	POWER TRANSFORMER	J		電源トランス	
*	△	8-4	X8214A00	POWER TRANSFORMER	UC		電源トランス	
*	△	8-4	X8215A00	POWER TRANSFORMER	RL		電源トランス	
*	△	8-4	X8216A00	POWER TRANSFORMER	T		電源トランス	
*	△	8-4	X8732A00	POWER TRANSFORMER	A		電源トランス	
*	△	8-4	X8217B00	POWER TRANSFORMER	BG		電源トランス	
*	8-11	WK875200	BOTTOM PANEL	JUCTABG	ボトムパネル			
*	8-11	WK875400	BOTTOM PANEL	RL	ボトムパネル			
*	8-19	WK916500	PACKING A	270x6x1			パッキン A	
	8-26	WF874300	GASKET	42x16x1		RL	ガスケット	
	8-31	WE994800	BIND HEAD S-TIGHT SCREW	4x8	MFZN2B3	01		
	8-32	WE774400	BIND HEAD B-TIGHT SCREW	3x8	MFZN2B3	01		
	8-34	WF268000	BIND HEAD P-TIGHT SCREW	3x10	MFZN2B3	01		
	8-36	WE774600	SCREW IC	3x18	MFZN2W3	01		
	8-37	WF002600	PW HEAD B-TIGHT SCREW	3x8	MFZN2W3	01		
	9	VS025000	LEG	D60xH21			レッグ	02
	23	WE955200	BIND HEAD TAPPING SCREW	4x20	MFZN2B3	01		
*	31	WK873000	SWITCH COVER				スイッチカバー	
	32	WC736000	BUSHING				ブッシュ	01

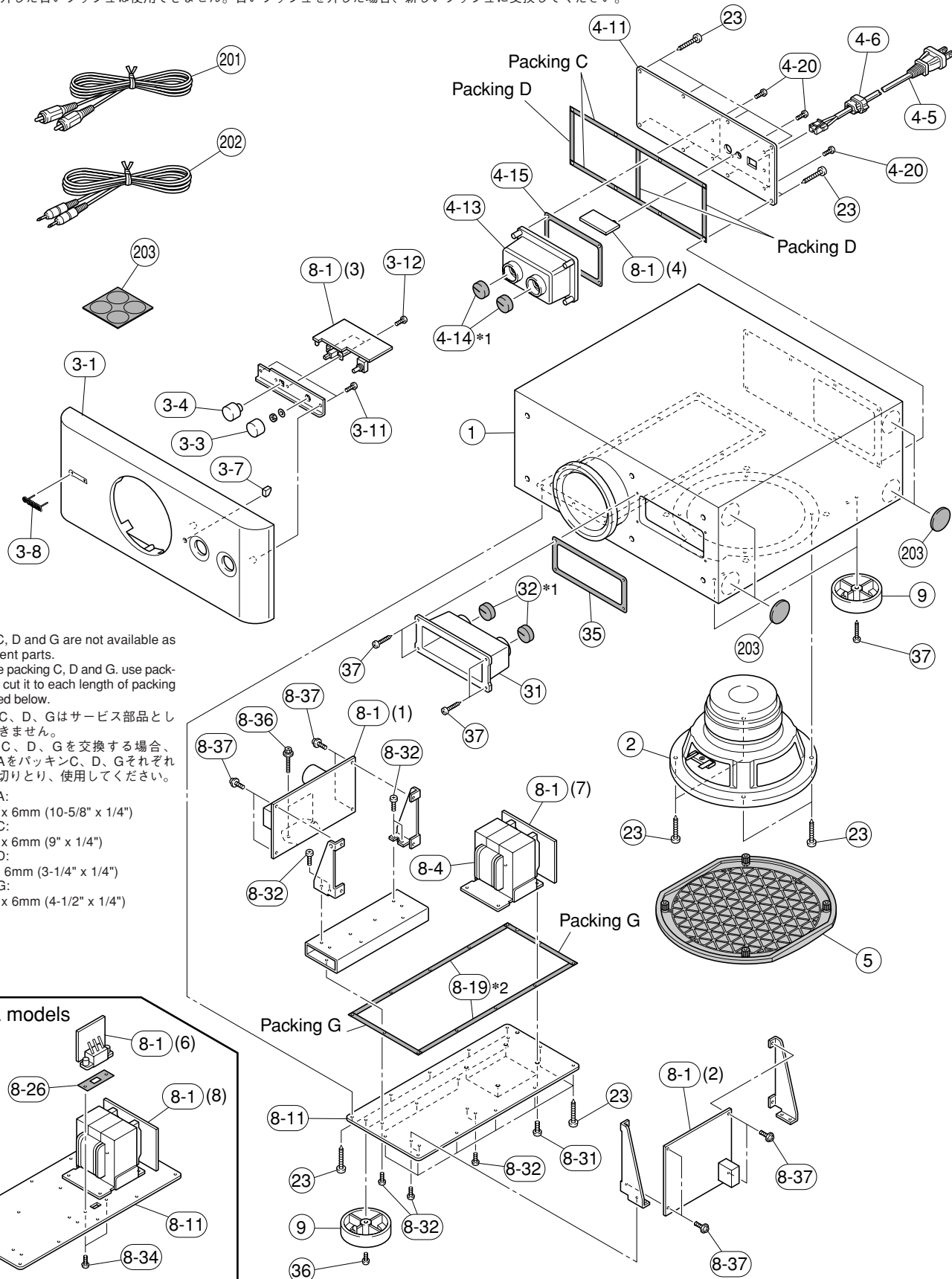
\* New Parts \* 新規部品

Ref No.	Part No.	Description	Remarks	Markets	部 品 名	ランク		
*	35	WK917000	PACKING E	128x53x1			パッキン E	
	36	WE774400	BIND HEAD B-TIGHT SCREW	3x8	MFZN2B3	01		バインドBタイトネジ
	37	WE971200	BIND HEAD TAPPING SCREW	3x16	MFZN2B3	01		バインドTPネジ
			ACCESSORIES				付属品	
	201	WB918400	SUBWOOFER CABLE	1P 5m	1pc	06		サブウーファーケーブル
	202	WB918300	SYSTEM CONTROL CABLE	1P 5m	1pc	06		システム接続ケーブル
*	203	WM139500	STAND	with PADx2	1pc			縦置き用スタンド
	203-2	WF755900	NONSKID PAD	M16 t3	1pc			滑止パッド
	204	WF745800	BIND HEAD TAPPING SCREW	4x14	MFZN2B3 1pc	01		バインドTPネジ
	205	WB365800	NONSKID PAD	M32 t2	4pcs/set	04		滑止パッド

\* New Parts \* 新規部品

YST-FSW050

\*1 Used bushing, once removed, cannot be reused. Be sure to use a new bushing in place of the removed used bushing.  
一度外した古いブッシュは使用できません。古いブッシュを外した場合、新しいブッシュに交換してください。



\*2 Packing C, D and G are not available as replacement parts.  
To replace packing C, D and G use packing A and cut it to each length of packing as specified below.  
パッキングC、D、Gはサービス部品として供給できません。  
パッキングC、D、Gを交換する場合、パッキングAをパッキングC、D、Gそれぞれの長さに切りとり、使用してください。  
Packing A:  
270mm x 6mm (10-5/8" x 1/4")  
Packing C:  
229mm x 6mm (9" x 1/4")  
Packing D:  
83mm x 6mm (3-1/4" x 1/4")  
Packing G:  
114mm x 6mm (4-1/2" x 1/4")

Ref No.	Part No.	Description	Remarks	Markets	部品名	ランク
*	1	WM108700	CABINET ASS'Y	BL	キャビネットASSY	
*	1	WM108900	CABINET ASS'Y	SI	キャビネットASSY	
	2	X2323C00	DRIVER WOOFER	16cm 6Ω	スピーカーユニット	
*	3-1	WK872400	FRONT PANEL	BL	フロントパネル	
*	3-1	WK872500	FRONT PANEL	SI	フロントパネル	
*	3-3	WK873100	VOLUME KNOB	BL	ボリュームツマミ	
*	3-3	WK873200	VOLUME KNOB	SI	ボリュームツマミ	
*	3-4	WK873300	SWITCH KNOB	BL	スイッチノブ	
*	3-4	WK873400	SWITCH KNOB	SI	スイッチノブ	
*	3-7	WK873600	LENS LED		LEDレンズ	
	3-8	V6034100	EMBLEM		エンブレム	03
	3-11	WF268000	BIND HEAD P-TIGHT SCREW	3x10 MFZN2B3	バインドPタイトネジ	01
	3-12	WE774400	BIND HEAD B-TIGHT SCREW	3x8 MFZN2B3	バインドBタイトネジ	01
* Δ	4-5	WF766600	POWER CABLE	2m	電源コード	J
* Δ	4-5	WF766700	POWER CABLE	2m	電源コード	UC
* Δ	4-5	WC992700	POWER CABLE	2m	電源コード	R
* Δ	4-5	WB120600	POWER CABLE	2m	電源コード	T
* Δ	4-5	WC753000	POWER CABLE	2m	電源コード	K
* Δ	4-5	WC743700	POWER CABLE	2m	電源コード	A
* Δ	4-5	WB212200	POWER CABLE	2m	電源コード	B
* Δ	4-5	WF686100	POWER CABLE	2m	電源コード	GL
	4-6	V2438700	CORD STOPPER	10P1	コードストッパー	02
*	4-11	WK874400	REAR PANEL		リアパネル	J
*	4-11	WK874500	REAR PANEL		リアパネル	UC
*	4-11	WK874900	REAR PANEL		リアパネル	RL
*	4-11	WK874600	REAR PANEL		リアパネル	TK
*	4-11	WK874700	REAR PANEL		リアパネル	A
*	4-11	WK874800	REAR PANEL		リアパネル	BG
*	4-13	WK872900	REAR COVER		リアカバー	
	4-14	WC736000	BUSH		ブッシュ	01
*	4-15	WK917100	PACKING F	96x62x1	パッキング F	
	4-20	WF268000	BIND HEAD P-TIGHT SCREW	3x10 MFZN2B3	バインドPタイトネジ	01
	5	WM038800	BOTTOM GRILLE ASS'Y		ボトムグリルASSY	
*	8-1	WM040100	P.C.B. ASS'Y	MAIN	PCB メイン	JUC
*	8-1	WM040200	P.C.B. ASS'Y	MAIN	PCB メイン	RL
*	8-1	WM040300	P.C.B. ASS'Y	MAIN	PCB メイン	TA
*	8-1	WM040400	P.C.B. ASS'Y	MAIN	PCB メイン	KBG
* Δ	8-4	X9201A00	POWER TRANSFORMER		電源トランス	J
* Δ	8-4	X9202A00	POWER TRANSFORMER		電源トランス	UC
* Δ	8-4	X9203A00	POWER TRANSFORMER		電源トランス	RL
* Δ	8-4	X9204A00	POWER TRANSFORMER		電源トランス	TK
* Δ	8-4	X9205A00	POWER TRANSFORMER		電源トランス	A
* Δ	8-4	X9206A00	POWER TRANSFORMER		電源トランス	BG
*	8-11	WK875500	BOTTOM PANEL		ボトムパネル	JUCTKABG
*	8-11	WK875600	BOTTOM PANEL		ボトムパネル	RL
*	8-19	WK916500	PACKING A	270x6x1	パッキング A	
	8-26	WF874300	GASKET		ガスケット	RL
	8-31	WE994800	BIND HEAD S-TIGHT SCREW	4x8 MFZN2B3	バインドSタイトネジ	01
	8-32	WE774400	BIND HEAD B-TIGHT SCREW	3x8 MFZN2B3	バインドBタイトネジ	01
	8-34	WF268000	BIND HEAD P-TIGHT SCREW	3x10 MFZN2B3	バインドPタイトネジ	01
	8-36	WE774600	SCREW IC	3x18 MFZN2W3	スクリュー IC	01
	8-37	WF002600	PW HEAD B-TIGHT SCREW	3x8 MFZN2W3	PWヘッドBタイトネジ	01
	9	VS025000	LEG	D60xH21	レッグ	02
	23	WE955200	BIND HEAD TAPPING SCREW	4x20 MFZN2B3	バインドTPネジ	01
*	31	WK873000	SWITCH COVER		スイッチカバー	

\* New Parts \* 新規部品



Ref No.	Part No.	Description	Remarks	Markets	部 品 名	ランク
	32	WC736000 BUSHING			ブッシュ	01
*	35	WK917000 PACKING E	128x53x1		パッキン E	
	36	WE774400 BIND HEAD B-TIGHT SCREW	3x8 MFZN2B3		バインドBタイトネジ	01
*	37	WE971200 BIND HEAD TAPPING SCREW	3x16 MFZN2B3		バインドT Pネジ	01
		ACCESSORIES			付属品	
	201	WB918400 SUBWOOFER CABLE	1P 5m 1pc		サブウーファーケーブル	06
	202	WB918300 SYSTEM CONTROL CABLE	1P 5m 1pc		システム接続ケーブル	06
	203	WB365800 NONSKID PAD	M32 t2 4pcs/set		滑止パッド	04

# YST-FSW150/YST-FSW050

---

